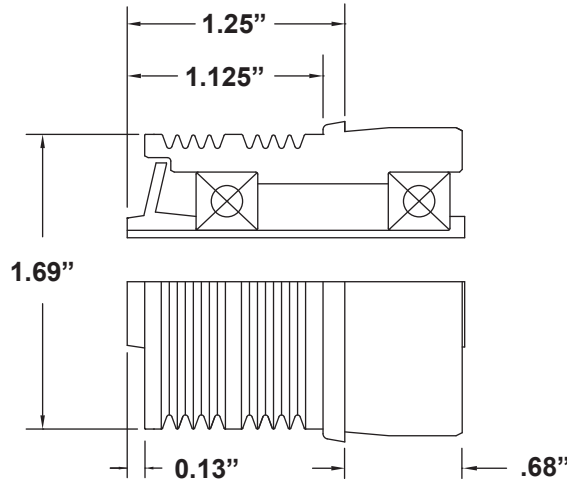


Poly V Belt Inserts - 43MM Effective Diameter



3PB44J43-4

Bearing:	Type:		Qty:
	ABEC-1 Precision	Chromium	2
	Option: ABEC-1 Precision	440SS	2

Insert Material: Conductive Plastic

Bore:	7/16" Hex	Part #	3PB44J43-4
	1/2" Round		3PB50J43-4

Tube: 1.90" x .065" - Standard
 Options: 1.75" x .065"
 2.50" x .083
 Others

Roller Centers: 3.00" - Standard

Installation method: Press fit into tube and swage

Belts: ConveyXonic® - High Tension Poly V - elastic nylon reinforced rubber

# of ribs	Series	Part #
2, 3, 4	"J"	Inquire - Dependent on load requirements and roller center distances

Belt Manufacturer: Hutchinson Belt Drive Systems

Belt Supplier: Available Upon Request

Insert Drive Options: Motorized roller - Our insert is a direct match to Itoh Denki motorized rollers. Poly V pulleys are machined for installation with your preferred drive.