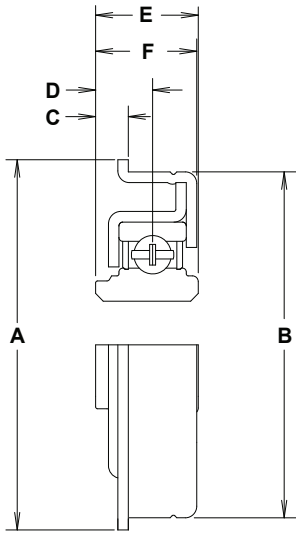
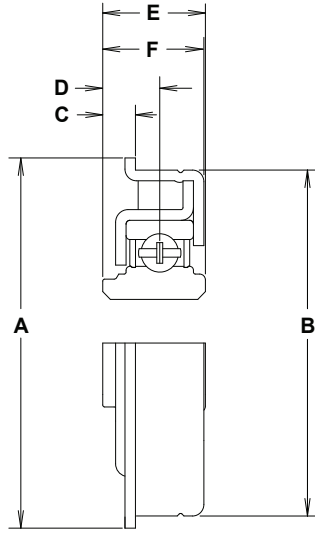


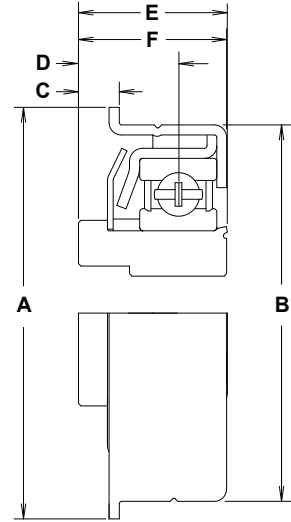
ABEC-1 Precision / Plated Steel / Stamped Metal Housings



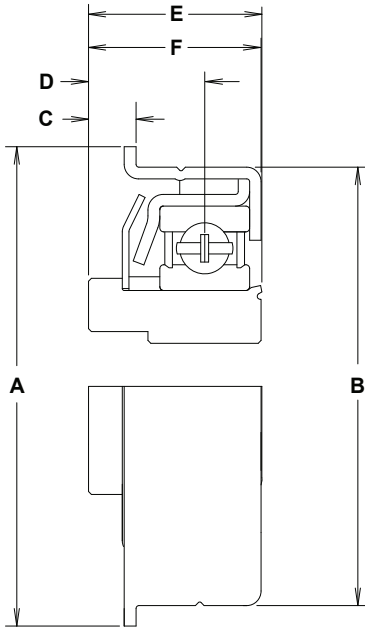
33RP



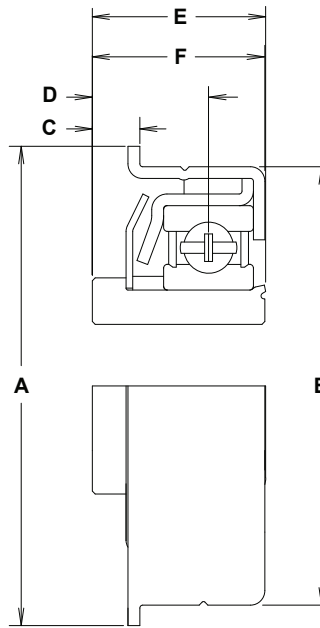
33W10



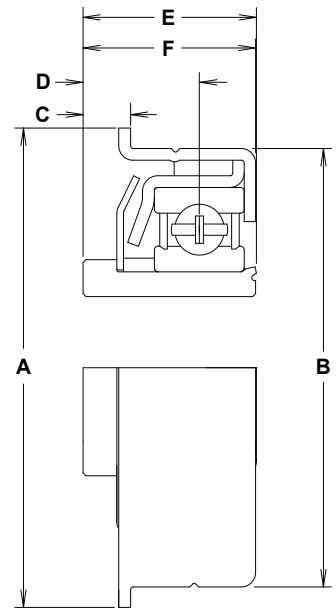
33B8



33C8



33J7



33W9

• SEE PAGE 14 FOR RECOMMENDED INSTALLATION & TUBE PREPARATION INFORMATION •

Bearing #	A Dim	B Dim	C Dim	D Dim	E Dim	Bore	Bearing	Bearing BDLR
33RP	1.90	1.78	0.17	0.30	0.54	7/16 HEX	6002 LLB	960
33W10	2.05	1.88	0.25	0.30	0.91	7/16 HEX	6203 LLB	1650
33B8	2.45	2.34	0.25	0.61	0.91	7/16 HEX	6005 LLB	1740
33C8	2.45	2.27	0.25	0.61	0.91	7/16 HEX	6005 LLB	1740
33J7	2.45	2.27	0.25	0.61	0.91	5/8 HEX	6005 LLB	1740
33W9	2.45	2.27	0.25	0.61	0.91	11/16 HEX	6005 LLB	1740

LLB = Non-contact rubber seals

Swaging of tube ends is recommended for bearing retention

Drawings not to scale