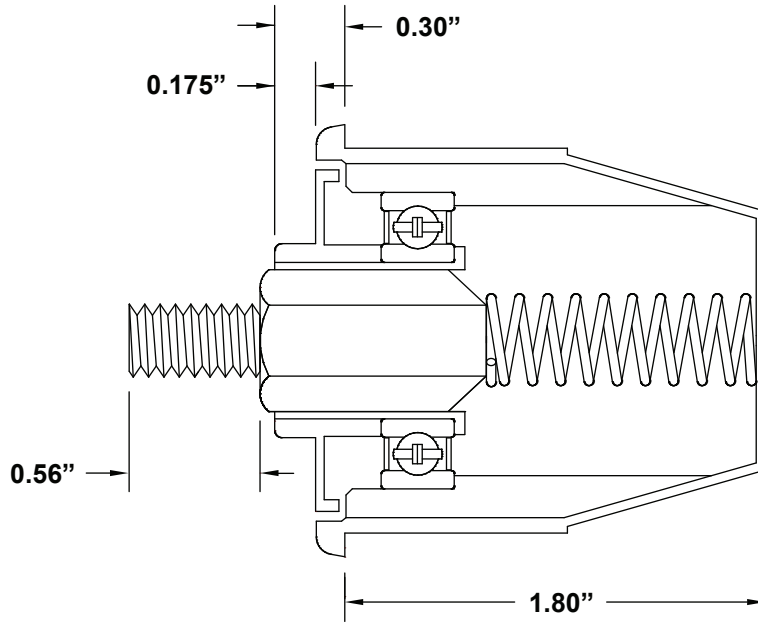


**Threaded Spring Loaded Stub Pin Bearing Insert For PVC Tube**



**FOR 1 1/2  
SCH. 80 PVC**

<b>Bearing:</b>	<b>Type:</b>	<b>Qty:</b>
	ABEC-1 Precision	1
	Option: ABEC-1 Precision	1
	Chromium	
	440SS	

**Insert Material:** Acetal Plastic

<b>Part #</b>	3SP8	3 = ABEC-1
	3CP8	SP = Stainless Pin / SS Bearing
	3SP516	CP = Carbon Steel Pin / CR Bearing
	3CP516	8 = 8mm Thread
		516 = 5/16-18 Thread

**Tube:** 1 1/2 SCHD 80 PVC

**Installation method:** Press fit into tube

- Ideal for washdown (with stainless steel components)
- Option for RFID (radio frequency identification) conveyor rollers - No internal metal shafts required
- Nut & washer included