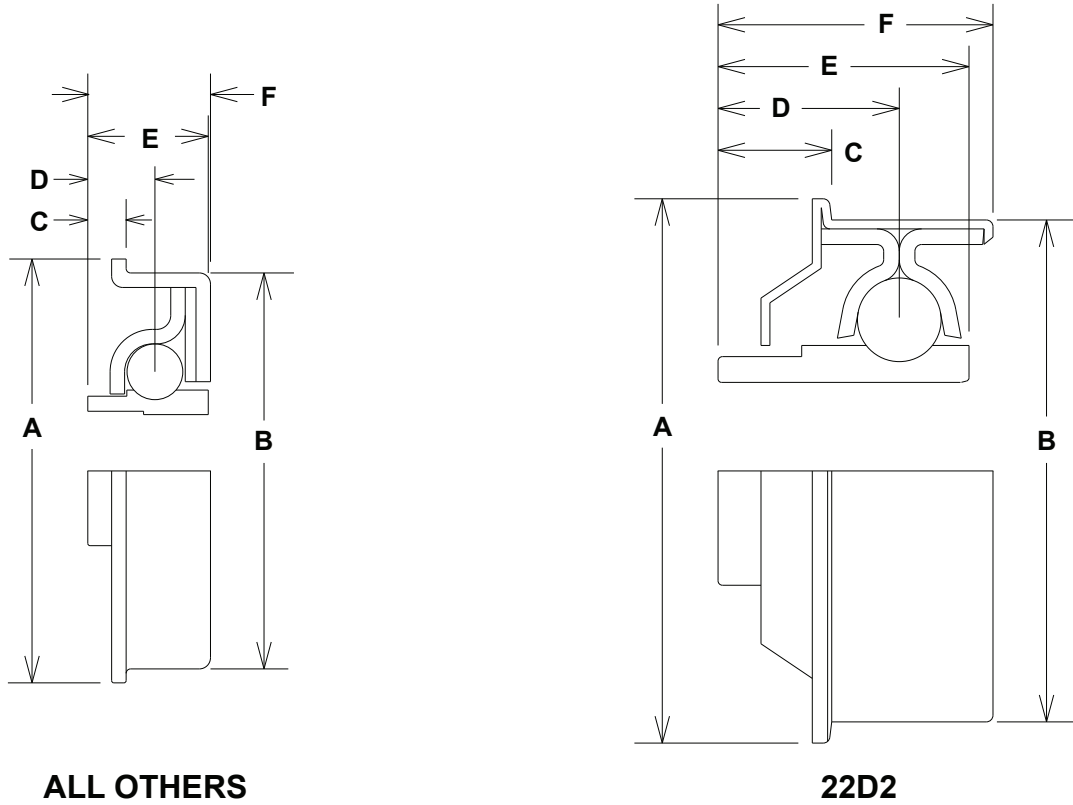


## Commercial Grade / Plated Steel / Metal Housing



**ALL OTHERS**

**22D2**

Bearing #	A Dim	B Dim	C Dim	D Dim	E Dim	F Dim	Bore	Bearing Load Rating
22G4	1.00	0.91	0.13	0.25	0.38	0.38	5/16 Hex	25
22L4	1.25	1.13	0.22	0.41	0.57	0.56	5/16 Hex	45
22L2	1.25	1.13	0.12	0.27	0.43	0.43	1/4 Round	45
22M2	1.38	1.28	0.22	0.16	0.56	0.56	1/4 Round	47
22M4	1.38	1.28	0.22	0.38	0.56	0.56	5/16 Hex	47
22S4	1.38	1.26	0.25	0.49	0.70	0.71	7/16 Hex	198
22R1	1.75	1.63	0.15	0.31	0.53	0.55	7/16 Hex	135
22A8	1.80	1.71	0.22	0.45	0.72	0.72	7/16 Hex	428
22A6	1.90	1.78	0.17	0.33	0.53	0.55	7/16 Hex	135
22J5	1.90	1.67	0.17	0.31	0.53	0.53	7/16 Hex	135
22D2	2.44	2.27	0.47	0.81	1.15	1.22	11/16 Hex	290

\* Other bore configurations available upon request - Inquire with customer service

\*\* Bearing dimensions and configurations subject to change without notification