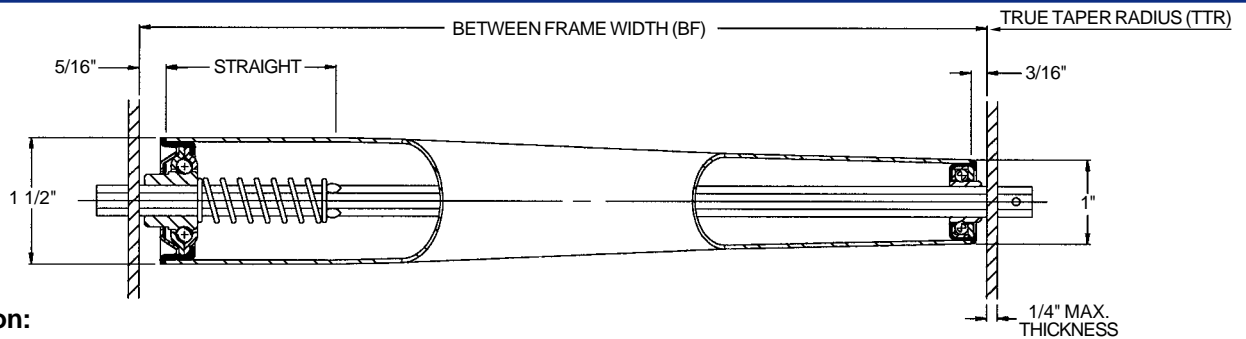


Tapered Roller 1 1/2 in. O.D. to 1 in. O.D. - 5/16 in. Hex Axle



Description:

Tube: 1 1/2 in. O.D. Max. to 1 in. O.D. x 18 g a.

Axle: 5/16 in. Hex

Bearing No.: 102152 - Plain
102175 - Seal/Shield

Spring No.: 11375

Pin No.: 101010

Weight (lbs.): 0.22 + 0.09 x BF

Option: Grooved Roller

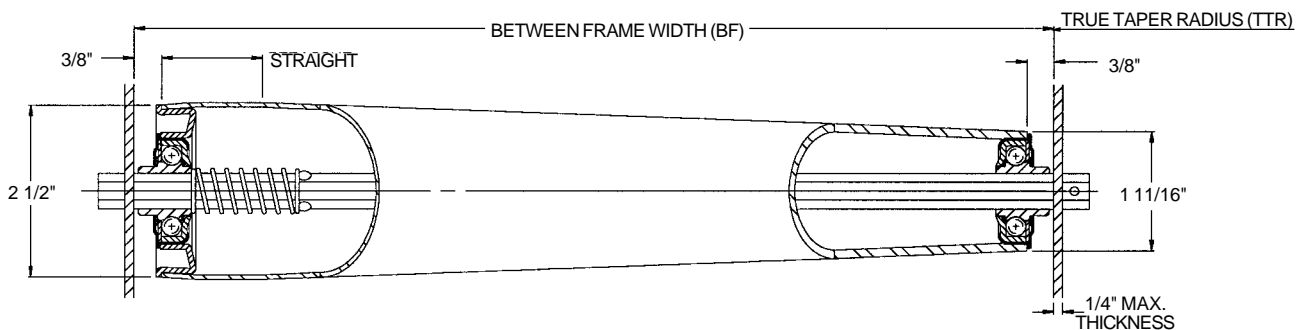
Roller No.	Bearing No.	Retained	BF
28552 - BF	102101 - Seal	Pin	4 - 120
28551 - BF	102086 - Seal/Shield	Pin	4 - 120

TAPERED ROLLER CAPACITY CHART (LBS.)								
BF**	Roller Capacity	Straight on End of Roller*	TTR	BF**	Roller Capacity	Straight on End of Roller*	TTR	
10	150	1"	17 1/8	20	134	1"	37 1/4	
11	150	2"		21	127	2"		
12	150	3"		22	121	3"		
			23	115	4"			
13	150	5/8"	24	24	110	1/2"	46 1/4	
14	150	1 5/8"		25	106	1 1/2"		
15	150	2 5/8"		26	102	2 1/2"		
16	150	3 5/8"		27	98	3 1/2"		
17	150	1 3/8"	30 1/2	28	94	4 1/2"		
18	149	2 3/8"						
19	141	3 3/8"						

* -0" +1" tolerance on straight section.

** Between Frame Widths available from 10 in. to 28 in.

Tapered Roller 2 1/2 in. O.D. to 1 11/16 in. O.D. - 7/16 in. Hex Axle



Description:

Tube: 2 1/2 in. O.D. Max. to 1 11/16 in. O.D. x 14 ga.

Axle: 7/16 in. Hex

Bearing Adapter No.: 102058

Spring No.: 11375

Pin No.: 101010

Weight (lbs.): 0.47 + 0.19 x BF

Option: Grooved Roller

Roller No.	Bearing No.	Retained	BF
28697 - BF	102052 - Plain	Spring	13 - 39
28698 - BF	102052 - Plain	Pin	13 - 39
39044 - BF	102053 - Seal	Spring	13 - 39
39045 - BF	102053 - Seal	Pin	13 - 39

TAPERED ROLLER CAPACITY CHART (LBS.)							
BF**	Roller Capacity	Straight on End of Roller*	TTR	BF**	Roller Capacity	Straight on End of Roller*	TTR
13	290	2 5/8"	20 1/4	27	290	1 9/16"	51 1/2
14	290	3 5/8"		28	290	2 9/16"	
15	290	7/16"	29	29	290	3 9/16"	
16	290	1 7/16"		30	290	4 9/16"	
17	290	2 7/16"		31	288	5 9/16"	
18	290	3 7/16"		32	279	1 3/32"	
19	290	4 7/16"		33	270	2 3/32"	
20	290	5 7/16"		34	262	3 3/32"	
				35	254	4 3/32"	
21	290	13/16"	40 1/2	36	247	5 3/32"	
22	290	1 13/16"		37	240	6 3/32"	
23	290	2 13/16"		38	234	7 3/32"	
24	290	3 13/16"		39	228	8 5/32"	
25	290	4 13/16"					
				51 1/2			
26	290	9/16"					

* -0" +1" tolerance on straight section.

** Between Frame Widths available from 13 in. to 39 in.