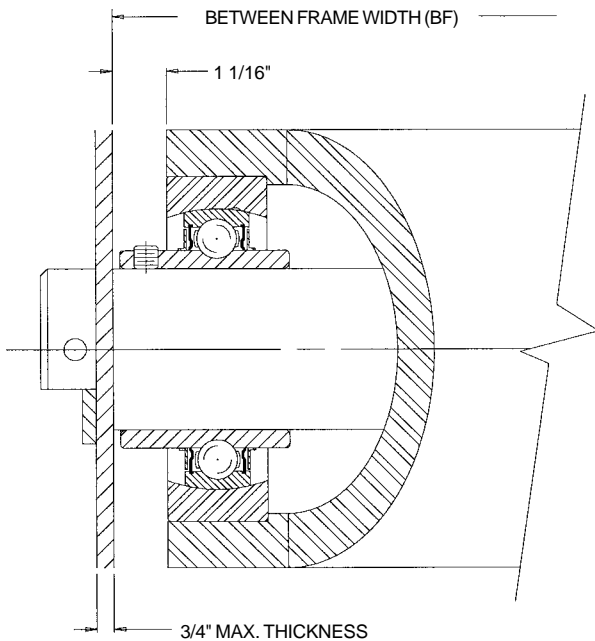


Roller 8 in. O.D. x 1 in. Wall - 2 15/16 in. Round Axle



Description:

Tube: 8 in. O.D. x 1 in. Wall

Axle: 2 15/16 in. Round - Notched for Keeper Bar

Bearing Assembly No.: 27965 - Seal/Shield

Bearing No.: 102219

Sleeve No.: 27971

Pin No.: 101145

Weight (lbs.): 18.85 + 8.15 x BF

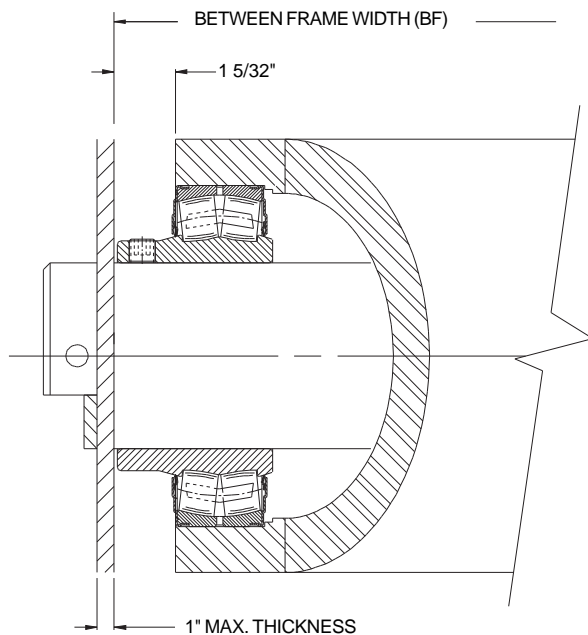
Roller No.: 28570 - BF

BF Range: 7 - 130

ROLLER CAPACITY CHART (LBS.)					
BF*	Bearing No. 27965	BF*	Bearing No. 27965	BF*	Bearing No. 27965
7	15878	47	15878	87	15878
12	15878	52	15878	92	15878
17	15878	57	15878	97	15878
22	15878	62	15878	102	15878
27	15878	67	15878	107	15878
32	15878	72	15878	112	15878
37	15878	77	15878	117	15878
42	15878	82	15878	120	15878

* Between Frame Widths available from 7 in. to 130 in.

Roller 8 in. O.D. x 1 in. Wall - 3 7/16 in. Round Axle



Description:

Tube: 8 in. O.D. x 1 in. Wall

Axle: 3 7/16 in. Round - Notched for Keeper Bar

Bearing No.: 102204 - Seal/Shield

Pin No.: 101144

Weight (lbs.): 7.70 + 8.86 x BF

Roller No.: 28571 - BF

BF Range: 7 - 130

ROLLER CAPACITY CHART (LBS.)					
BF*	Bearing No. 102204	BF*	Bearing No. 102204	BF*	Bearing No. 102204
7	80458	47	63752	87	33044
12	80458	52	57117	92	31167
17	80458	57	51733	97	29492
22	80458	62	47276	102	27988
27	80458	67	43527	107	26630
32	80458	72	40328	112	25398
37	80458	77	37567	117	24274
42	72131	82	35161	120	23647

* Between Frame Widths available from 7 in. to 130 in.