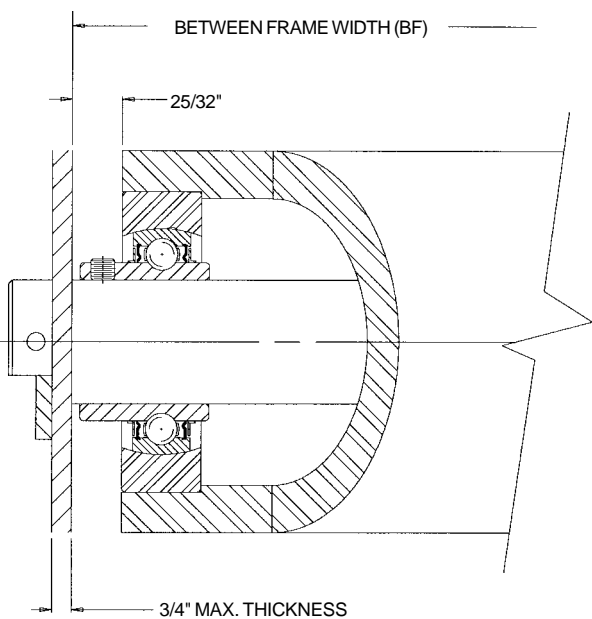


Roller 6 in. O.D. x 3/4 in. Wall - 1 15/16 in. Round Axle



Description:

Tube: 6 in. O.D. x 3/4 in. Wall (.750 in.)

Axle: 1 15/16 in. Round

Bearing Assembly No.: 27960 - Seal/Shield

Bearing No.: 102217

Sleeve No.: 27968

Pin No.: 101142

Weight (lbs.): 9.25 + 4.34 x BF

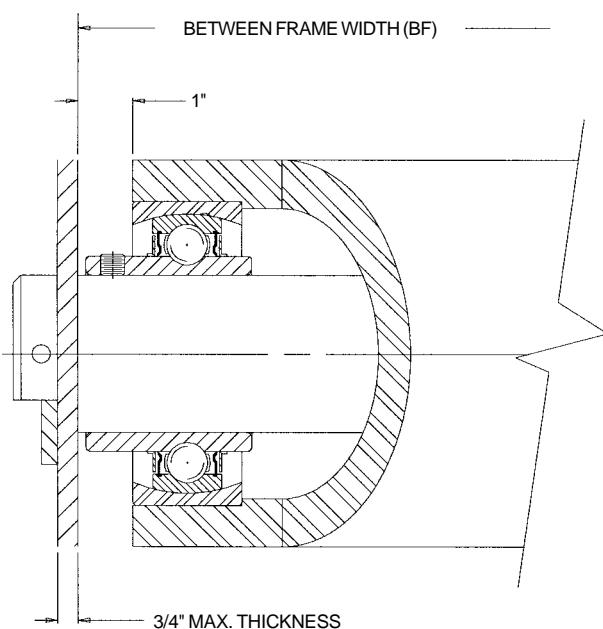
Roller No.: 28561 - BF

BF Range: 7 - 130

ROLLER CAPACITY CHART (LBS.)					
BF*	Bearing No. 27960	BF*	Bearing No. 27960	BF*	Bearing No. 27960
7	8390	47	8390	87	8390
12	8390	52	8390	92	8390
17	8390	57	8390	97	8390
22	8390	62	8390	102	8390
27	8390	67	8390	107	8390
32	8390	72	8390	112	8390
37	8390	77	8390	117	8390
42	8390	82	8390	120	8390

* Between Frame Widths available from 7 in. to 130 in.

Roller 6 in. O.D. x 3/4 in. Wall - 2 7/16 in. Round Axle



Description:

Tube: 6 in. O.D. x 3/4 in. Wall (.750 in.)

Axle: 2 7/16 in. Round - Notched for Keeper Bar

Bearing Assembly No.: 27962 - Seal/Shield

Bearing No.: 102218

Sleeve No.: 27969

Pin No.: 101143

Weight (lbs.): 7.10 + 4.83 x BF

Roller No.: 28562 - BF

BF Range: 7 - 130

ROLLER CAPACITY CHART (LBS.)					
BF*	Bearing No. 27962	BF*	Bearing No. 27962	BF*	Bearing No. 27962
7	12550	47	12550	87	12550
12	12550	52	12550	92	12550
17	12550	57	12550	97	12356
22	12550	62	12550	102	11730
27	12550	67	12550	107	11165
32	12550	72	12550	112	10651
37	12550	77	12550	117	10183
42	12550	82	12550	120	9921

* Between Frame Widths available from 7 in. to 130 in.