

Roller 5 9/16 in. O.D. x 3/4 in. Wall - 1 1/2 in. Hex Axle

Description:

Tube: 5 9/16 in. O.D. x 3/4 in. Wall (.750 in.)

Axle: 1 1/2 in. Hex

Bearing Assembly No.: 27958 - Seal/Shield

Bearing No.: 102222

Sleeve No.: 27967

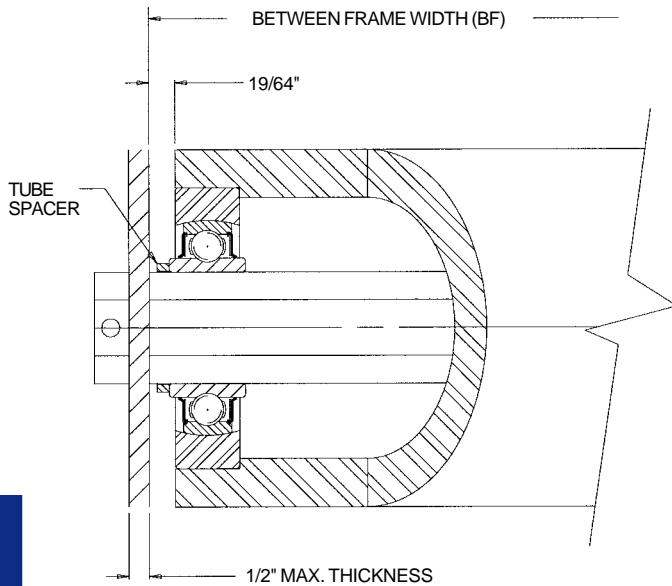
Pin No.: 101009

Tube Spacer: 2 in. O.D. x 11 ga. - 3/16 in. Long

Weight (lbs.): 9.12 + 3.77 x BF

Roller No.: 28558 - BF

BF Range: 7 - 130



ROLLER CAPACITY CHART (LBS.)					
BF*	Bearing No. 27958	BF*	Bearing No. 27958	BF*	Bearing No. 27958
7	7836	47	7836	87	7836
12	7836	52	7836	92	7836
17	7836	57	7836	97	7632
22	7836	62	7836	102	7251
27	7836	67	7836	107	6907
32	7836	72	7836	112	6594
37	7836	77	7836	117	6308
42	7836	82	7836	120	6148

* Between Frame Widths available from 7 in. to 130 in.

Roller 5 9/16 in. O.D. x 3/4 in. Wall - 1 11/16 in. Round Axle

Description:

Tube: 5 9/16 in. O.D. x 3/4 in. Wall (.750 in.)

Axle: 1 11/16 in. Round - Notched for Keeper Bar

Bearing Assembly No.: 27959 - Seal/Shield

Bearing No.: 102165

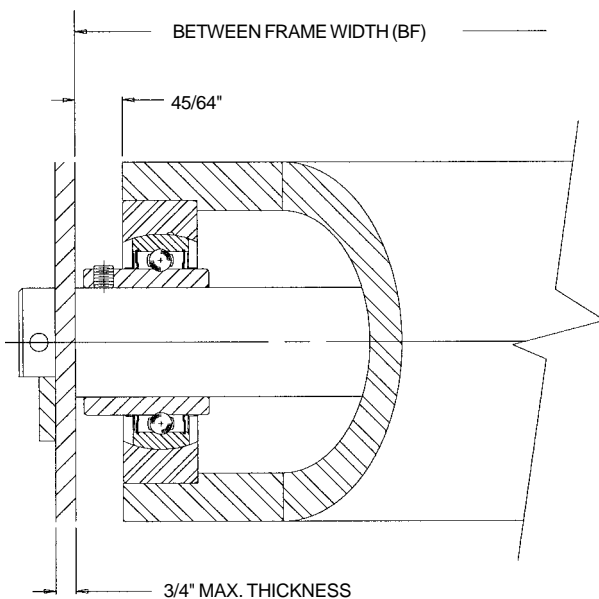
Sleeve No.: 27967

Pin No.: 101009

Weight (lbs.): 7.65 + 3.85 x BF

Roller No.: 28559 - BF

BF Range: 7 - 130



ROLLER CAPACITY CHART (LBS.)					
BF*	Bearing No. 27959	BF*	Bearing No. 27959	BF*	Bearing No. 27959
7	7836	47	7836	87	7683
12	7836	52	7836	92	7254
17	7836	57	7836	97	6869
22	7836	62	7836	102	6524
27	7836	67	7836	107	6212
32	7836	72	7836	112	5928
37	7836	77	7836	117	5669
42	7836	82	7836	120	5524

* Between Frame Widths available from 7 in. to 130 in.