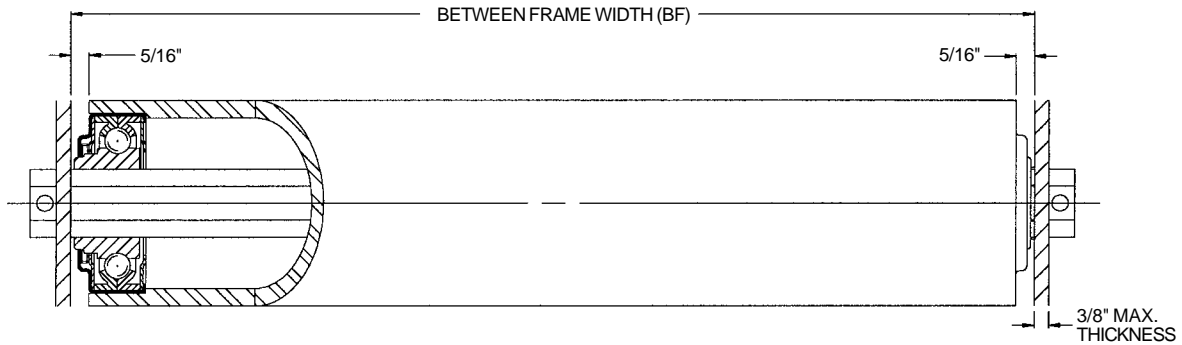


Roller 3 1/2 in. O.D. x .300 in. Wall - 1 in. Hex Axle



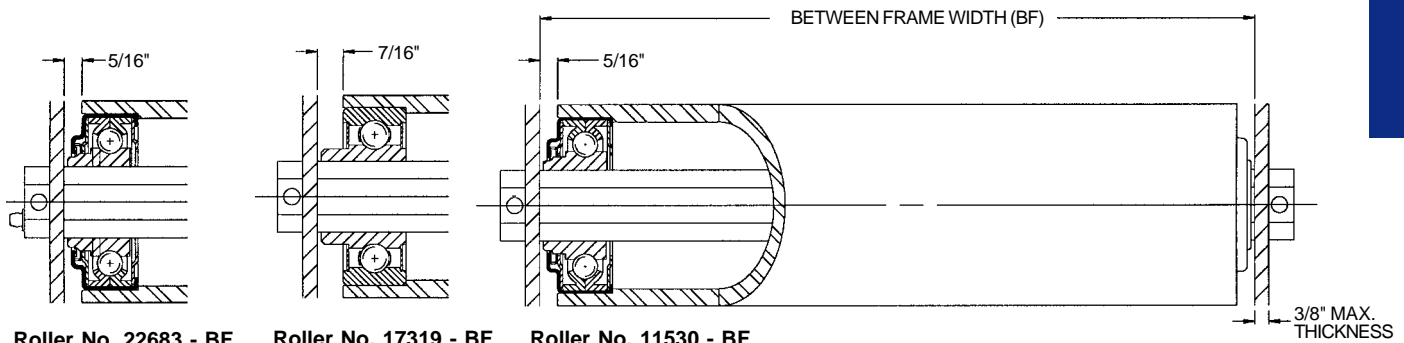
Description:

- Tube:** 3 1/2 in. O.D. x .300 in. Wall
- Axle:** 1 in. Hex
- Bearing No.:** 102314 - Seal/Shield
- Pin No.:** 101009
- Weight (lbs.):** 2.50 + 1.10 x BF
- Roller No.:** 31444 - BF
- BF Range:** 4 - 120

BF*	Bearing No. 102314	BF*	Bearing No. 102314
7	1040	67	1040
12	1040	72	1040
17	1040	77	1040
22	1040	82	1040
27	1040	87	1040
32	1040	92	1040
37	1040	97	1040
42	1040	102	1040
47	1040	107	1040
52	1040	112	1040
57	1040	117	1040
62	1040	120	1040

* Between Frame Widths available from 4 in. to 120 in.

Roller 3 1/2 in. O.D. x .300 in. Wall - 1 1/16 in. Hex Axle



Roller No. 22683 - BF
Regreasable

Roller No. 17319 - BF

Roller No. 11530 - BF
Roller No. 11528 - BF

Description:

- Tube:** 3 1/2 in. O.D. x .300 in. Wall
- Axle:** 1 1/16 in. Hex
- Pin No.:** 101009
- Weight (lbs.):** 3.10 + 1.13 x BF

Roller No.	Bearing No.	Retained	BF
11530 - BF	102061 - Seal/Shield	Pin	4 - 120
11528 - BF	102060 - Plain	Pin	4 - 120
17319 - BF	102101 - Seal/Shield	Pin	4 - 120
22683 - BF	102086 - Seal	Pin	4 - 120

BF*	Bearing No.			BF*	Bearing No.		
	102060	102101			102060	102101	
	102061	102086			102061	102086	
7	1040	4130		67	1040	1841	
12	1040	4130		72	1040	1709	
17	1040	4130		77	1040	1596	
22	1040	4130		82	1040	1496	
27	1040	4130		87	1040	1408	
32	1040	3989		92	1040	1330	
37	1040	3419		97	1040	1260	
42	1040	2992		102	1040	1197	
47	1040	2659		107	1040	1140	
52	1040	2393		112	1040	1088	
57	1040	2176		117	1040	1041	
62	1040	1994		120	1040	1014	

* Between Frame Widths available from 4 in. to 120 in.