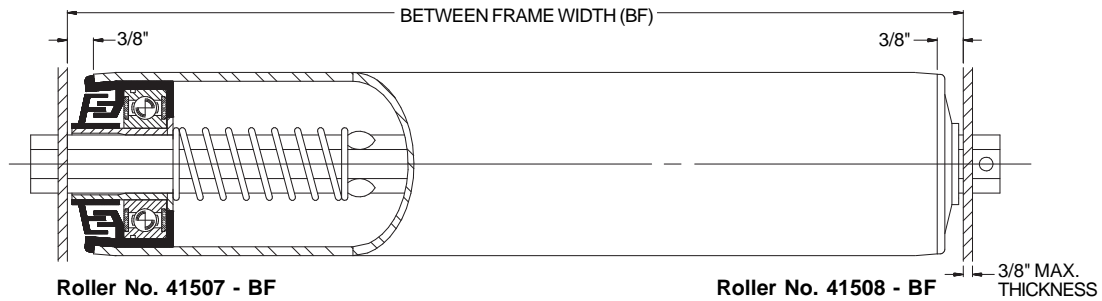


NEW QUIET ROLLER

Roller 2 1/2 in. O.D. x 11 ga. - 11/16 in. Hex Axle for High Speed, Low Noise Applications



Roller No. 41507 - BF

Roller No. 41508 - BF

Description:

- Tube:** 2 1/2 in. O.D. x 11 ga. (.120 in.)
- Axle:** 11/16 in. Hex
- Spring No.:** 11388
- Pin No.:** 101011
- Weight (lbs.):** 0.47 + 0.37 x BF
- Option:** Galvanized Tube, Grooved Roller

Roller No.	Bearing No.	Retained	BF
41507 - BF	113498 - Seal/Shield	Spring	8 - 72
41508 - BF	113498 - Seal/Shield	Pin	4 - 99

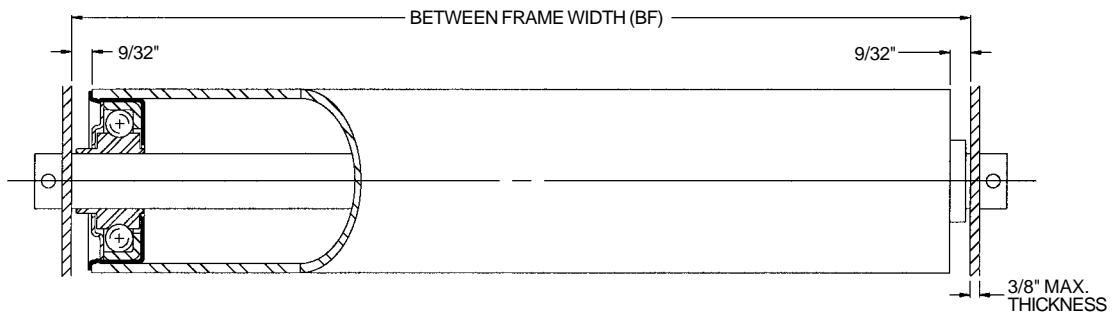
ROLLER CAPACITY CHART (LBS.)			
BF*	Bearing No. 113498	BF*	Bearing No. 113498
7	400	55	399
11	400	59	371
15	400	63	346
19	400	67	325
23	400	71	306
27	400	75	289
31	400	79	274
35	400	83	261
39	400	87	249
43	400	91	237
47	400	95	227
51	400	99	218

The double labyrinth shielding housing is shown for this roller.

Other seal/shield arrangements are available for the ABEC #1 bearing. Ask for details.

* Between Frame Widths available from 4 in. to 99 in.

Roller 2 1/2 in. O.D. x 11 ga. - 3/4 in. Round Axle



Description:

- Tube:** 2 1/2 in. O.D. x 11 ga. (.120 in.)
- Axle:** 3/4 in. Round
- Bearing No.:** 102273 - Shield
- Pin No.:** 101011
- Weight (lbs.):** 1.33 + 0.38 x BF
- Roller No.:** 29931 - BF
- BF Range:** 3 - 99
- Option:** Galvanized Tube

ROLLER CAPACITY CHART (LBS.)			
BF*	Bearing No. 102273	BF*	Bearing No. 102273
7	700	55	700
11	700	59	700
15	700	63	660
19	700	67	619
23	700	71	584
27	700	75	552
31	700	79	510
35	700	83	461
39	700	87	419
43	700	91	382
47	700	95	350
51	700	99	322

* Between Frame Widths available from 3 in. to 99 in.

Rollers, Bearings & Wheels