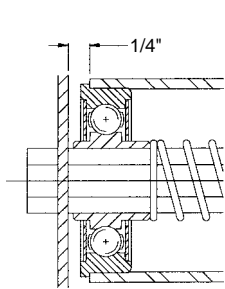
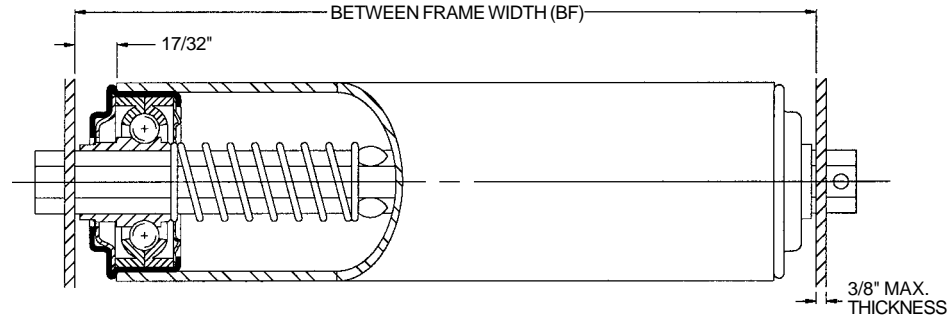


Roller 2 1/2 in. O.D. x 11 ga. - 1/16 in. Hex Axle

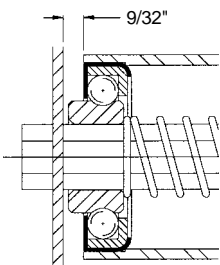


Roller No. 23417 - BF

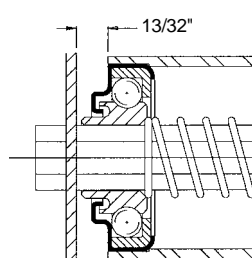


Roller No. 15678 - BF

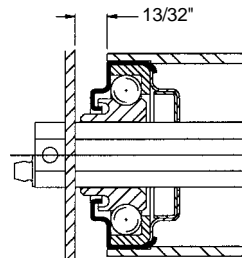
Roller No. 15677 - BF
Roller No. 11581 - BF
Roller No. 11582 - BF
Roller No. 23418 - BF



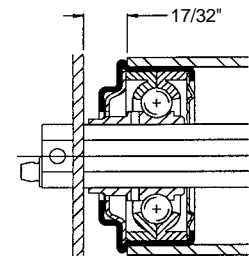
Roller No. 11547 - BF



Roller No. 11548 - BF



Roller No. 11583 - BF
Regreasable



Roller No. 21331 - BF
Regreasable

Description:

Tube: 2 1/2 in. O.D. x 11 ga. (.120 in.)

Axle: 11/16 in. Hex

Spring No.: 11388

Pin No.: 101011

Weight (lbs.): 1.25 + 0.37 x BF

Option: Galvanized Tube, Grooved Roller

Roller No.	Bearing No.	Retained	BF
15678 - BF	102041 - Seal	Spring	8 - 72
15677 - BF	102041 - Seal	Pin	3 - 99
21331 - BF	102229 - Seal	Pin	3 - 99
11547 - BF	102054 - Plain	Spring	7 - 72
11581 - BF	102054 - Plain	Pin	3 - 99
11548 - BF	102055 - Shield	Spring	7 - 72
11582 - BF	102055 - Shield	Pin	3 - 99
11583 - BF	102056 - Shield	Pin	3 - 99
23417 - BF	102139 - Seal	Spring	8 - 72
23418 - BF	102139 - Seal	Pin	3 - 99

ROLLER CAPACITY CHART (LBS.)											
BF*	Bearing No.					BF*	Bearing No.				
	102041 102229	102054	102055	102056	102139		102041 102229	102054	102055	102056	102139
7	580	650	650	650	700	55	580	650	650	650	700
11	580	650	650	650	700	59	558	650	650	650	700
15	580	650	650	650	700	63	522	650	650	650	657
19	580	650	650	650	700	67	490	618	634	620	617
23	580	650	650	650	700	71	462	582	598	584	582
27	580	650	650	650	700	75	436	551	565	553	550
31	580	650	650	650	700	79	414	507	536	511	506
35	580	650	650	650	700	83	393	459	510	462	458
39	580	650	650	650	700	87	375	417	486	420	416
43	580	650	650	650	700	91	358	381	464	383	380
47	580	650	650	650	700	95	343	349	444	351	348
51	580	650	650	650	700	99	329	321	426	323	320

* Other Between Frame Widths available. See chart above.