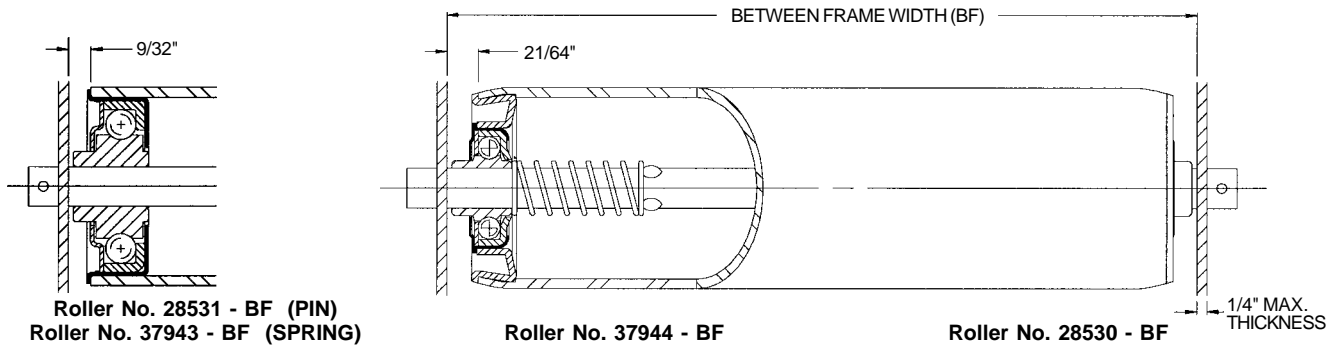


Roller 2 1/2 in. O.D. x 11 ga. - 1/2 in. Round Axle



Roller No. 28531 - BF (PIN)
Roller No. 37943 - BF (SPRING)

Roller No. 37944 - BF

Roller No. 28530 - BF

Description:

Tube: 2 1/2 in. O.D. x 11 ga. (.120 in.)

Axle: 1/2 in. Round

Bearing Adapter No.: 102058

Spring No.: 11375

Pin No.: 101010

Weight (lbs.): 0.57 + 0.31 x BF

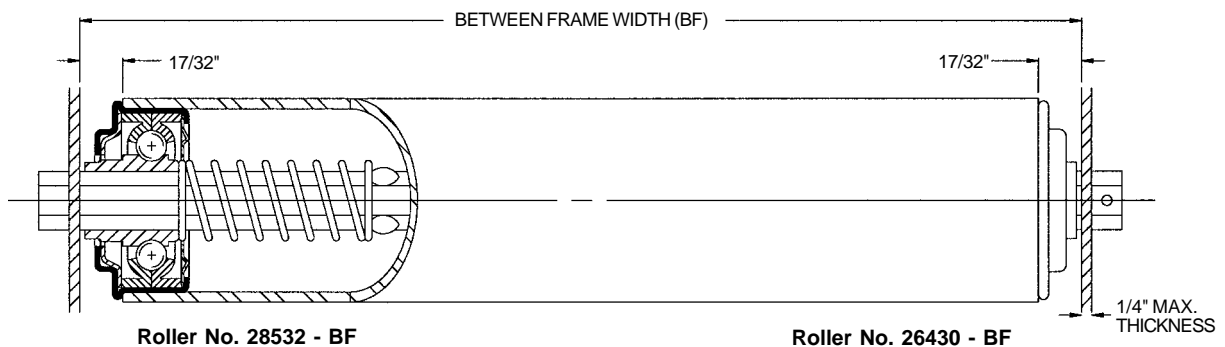
Option: Galvanized Tube

Roller No.	Bearing No.	Retained	BF
28530 - BF	102181 - Plain	Pin	4 - 63
28531 - BF	102195 - Shield	Pin	3 - 63
37943 - BF	102195 - Shield	Spring	7 - 63
37944 - BF	102181 - Plain	Spring	7 - 63

ROLLER CAPACITY CHART (LBS.)					
BF*	Bearing No.		BF*	Bearing No.	
	102181	102195		102181	102195
7	290	700	37	290	274
10	290	700	40	290	253
13	290	700	43	288	234
16	290	665	46	269	219
19	290	553	49	252	205
22	290	472	52	237	193
25	290	413	55	224	182
28	290	366	58	212	172
31	290	329	61	201	164
34	290	299	63	195	158

* Other Between Frame Widths available. See chart at left.

Roller 2 1/2 in. O.D. x 11 ga. - 5/8 in. Hex Axle



Roller No. 28532 - BF

Roller No. 26430 - BF

Description:

Tube: 2 1/2 in. O.D. x 11 ga. (.120 in.)

Axle: 5/8 in. Hex

Spring No.: 11372

Pin No.: 101011

Weight (lbs.): 1.17 + 0.35 x BF

Option: Galvanized Tube

Roller No.	Bearing No.	Retained	BF
28532 - BF	102130 - Seal	Spring	8 - 63
26430 - BF	102130 - Seal	Pin	3 - 63

ROLLER CAPACITY CHART (LBS.)			
BF*	Bearing No. 102130	BF*	Bearing No. 102130
7	580	37	580
10	580	40	571
13	580	43	529
16	580	46	493
19	580	49	462
22	580	52	434
25	580	55	410
28	580	58	388
31	580	61	368
34	580	63	356

* Between Frame Widths available from 3 in. to 63 in.