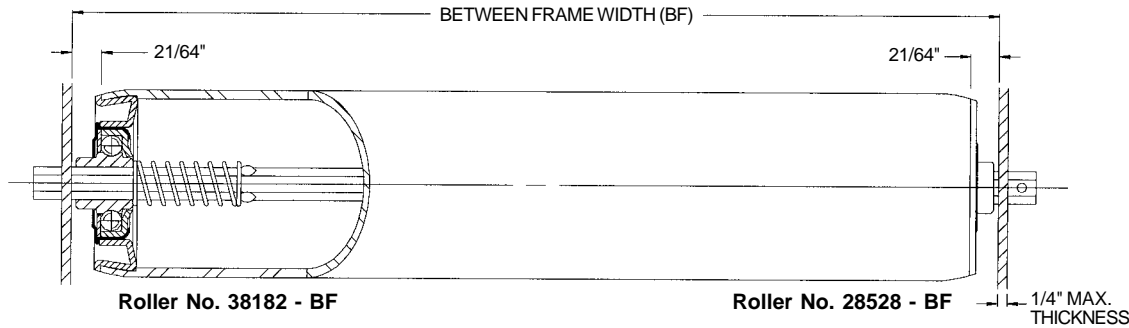


Roller 2 1/2 in. O.D. x 11 ga. - 3/8 in. Hex Axle



Description:

Tube: 2 1/2 in. O.D. x 11 ga. (.120 in.)

Axle: 3/8 in. Hex

Bearing Adapter No.: 102058

Spring No.: 37379

Pin No.: 101010

Weight (lbs.): 0.54 + 0.29 x BF

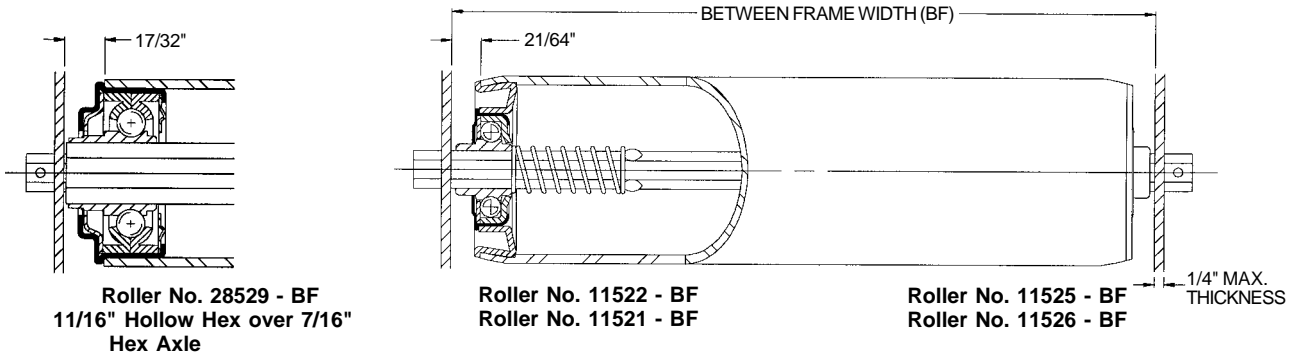
Option: Galvanized Tube

Roller No.	Bearing No.	Retained	BF
28528 - BF	102180 - Plain	Pin	4 - 39
38182 - BF	102180 - Plain	Spring	7 - 39

ROLLER CAPACITY CHART (LBS.)			
BF*	Bearing No. 102180	BF*	Bearing No. 102180
7	290	25	195
9	290	27	180
11	290	29	167
13	290	31	156
15	290	33	146
17	290	35	137
19	260	37	130
21	234	39	123
23	212		

* Other Between Frame Widths available. See chart at left.

Roller 2 1/2 in. O.D. x 11 ga. - 7/16 in. Hex Axle



Description:

Tube: 2 1/2 in. O.D. x 11 ga. (.120 in.)

Axle: 7/16 in. Hex

Bearing Adapter No.: 102058

Spring No.: 11375

Pin No.: 101010

Weight (lbs.): 0.55 + 0.29 x BF
1.10 + 0.36 x BF (Bearing No. 102041)

Option: Galvanized Tube

Roller No.	Bearing No.	Retained	BF
11522 - BF	102052 - Plain	Spring	7 - 63
11525 - BF	102052 - Plain	Pin	4 - 63
11521 - BF	102053 - Seal	Spring	7 - 63
11526 - BF	102053 - Seal	Pin	4 - 63
28529 - BF	102041 - Seal	Pin	3 - 99

ROLLER CAPACITY CHART (LBS.)					
BF*	Bearing No.		BF*	Bearing No.	
	102052 102053	102041		102052 102053	102041
7	290	580	55	160	580
11	290	580	59	149	558
15	290	580	63	139	522
19	290	580	67	--	490
23	290	580	71	--	462
27	290	580	75	--	436
31	288	580	79	--	414
35	254	580	83	--	393
39	228	580	87	--	375
43	206	580	91	--	358
47	188	580	95	--	343
51	173	580	99	--	329

* Other Between Frame Widths available. See chart at left.