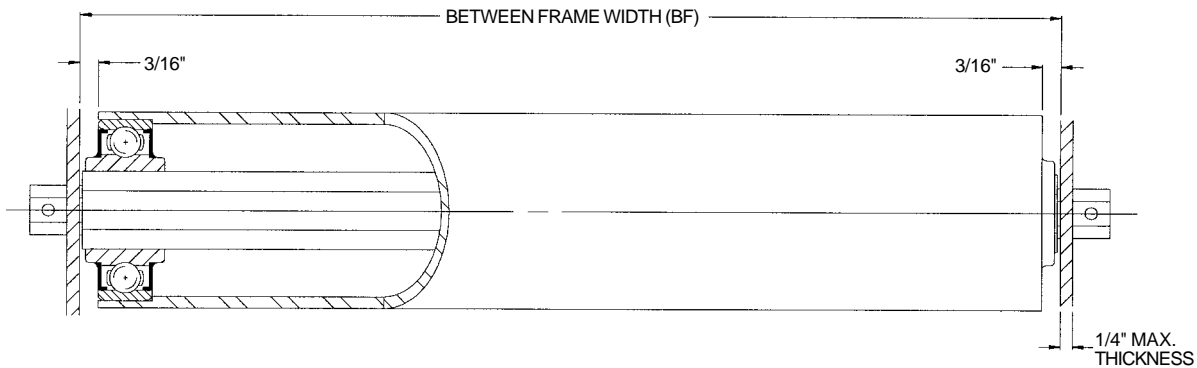


Roller 2 in. O.D. x 11 ga. - 7/16 in. Hex Axle



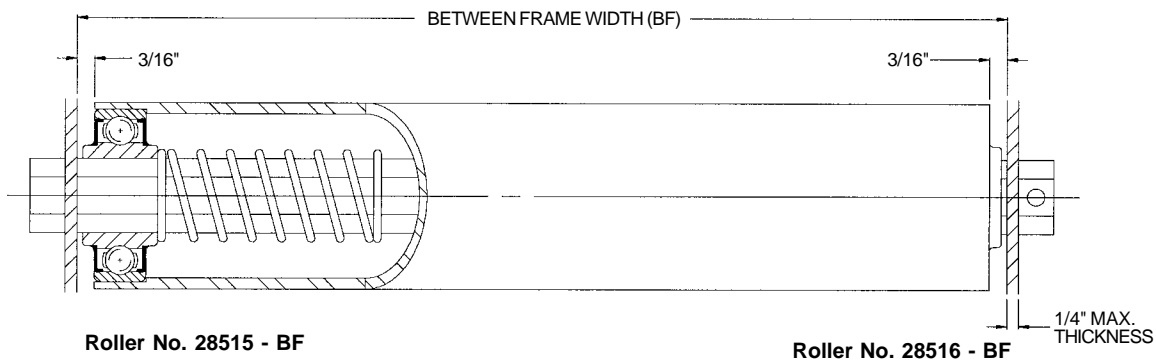
Description:

- Tube:** 2 in. O.D. x 11 ga. (.120 in.)
- Axle:** 11/16 in. Hollow Hex over 7/16 in. Hex
- Bearing No.:** 112798 - Shield
- Pin No.:** 101010
- Weight (lbs.):** $0.63 + 0.29 \times \text{BF}$
- Roller No.:** 28513
- BF Range:** 7 - 63

ROLLER CAPACITY CHART (LBS.)			
BF*	Bearing No. 102191	BF*	Bearing No. 102191
7	3064	37	696
10	2766	40	642
13	2083	43	597
16	1665	46	557
19	1391	49	522
22	1191	52	492
25	1044	55	463
28	927	58	440
31	835	61	416
34	759	63	403

* Between Frame Widths available from 7 in. to 63 in.

Roller 2 in. O.D. x 11 ga. - 11/16 in. Hex Axle



Roller No. 28515 - BF

Roller No. 28516 - BF

Description:

- Tube:** 2 in. O.D. x 11 ga. (.120 in.)
- Axle:** 11/16 in. Hex
- Spring No.:** 11388
- Pin No.:** 101011
- Weight (lbs.):** $0.73 + 0.32 \times \text{BF}$

Roller No.	Bearing No.	Retained	BF
28515 - BF	112798 - Shield	Spring	8 - 63
28516 - BF	112798 - Shield	Pin	3 - 63

ROLLER CAPACITY CHART (LBS.)			
BF*	Bearing No. 102191	BF*	Bearing No. 102191
7	3064	37	696
10	2766	40	642
13	2083	43	597
16	1665	46	557
19	1391	49	522
22	1191	52	492
25	1044	55	463
28	927	58	440
31	835	61	416
34	759	63	403

* Other Between Frame Widths available. See chart at left.