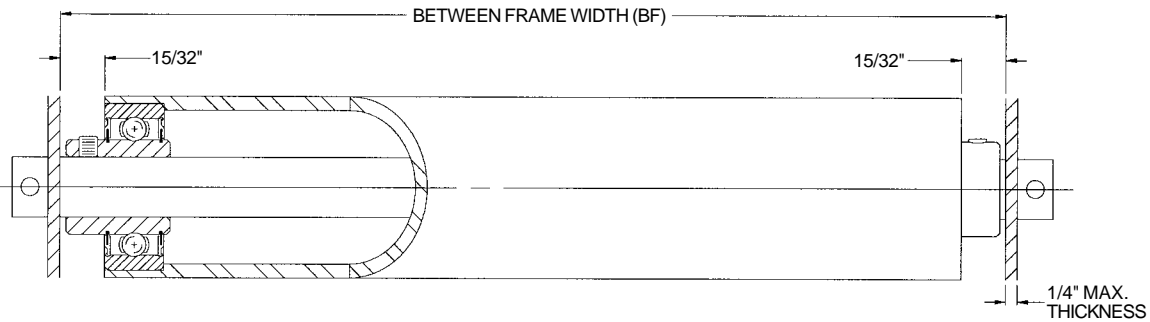


Roller 1.9 in. O.D. x .145 in. Wall - 5/8 in. Round Axle



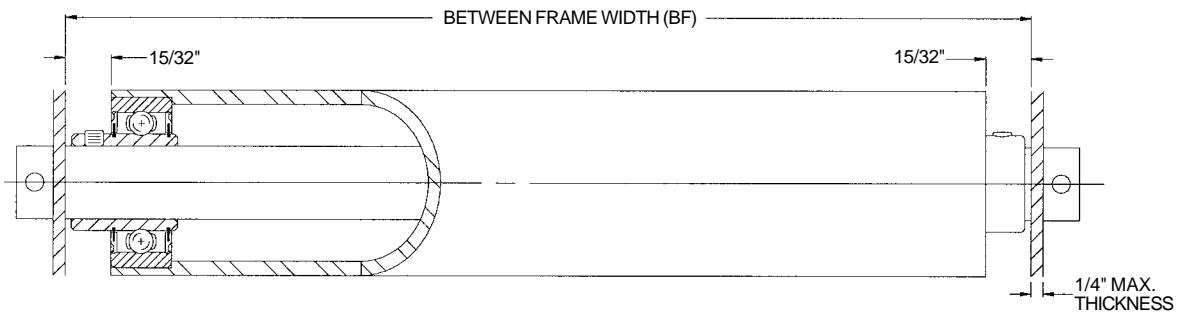
Description:

Tube: 1.9 in. O.D. x .145 in. Wall
Axle: 5/8 in. Round
Bearing No.: 102187 - Seal/Shield
Pin No.: 101011
Weight (lbs.): $0.92 + 0.31 \times \text{BF}$
Roller No.: 28508 - BF
BF Range: 4 - 63
Option: Aluminum or PVC Tube

ROLLER CAPACITY CHART (LBS.)			
BF*	Bearing No. 102187	BF*	Bearing No. 102187
7	1227	37	425
10	1227	40	392
13	1227	43	363
16	1043	46	339
19	863	49	317
22	737	52	298
25	642	55	282
28	569	58	267
31	511	61	253
34	464	63	245

* Between Frame Widths available from 4 in. to 63 in.

Roller 1.9 in. O.D. x .145 in. Wall - 3/4 in. Round Axle



Description:

Tube: 1.9 in. O.D. x .145 in. Wall
Axle: 3/4 in. Round
Bearing No.: 102186 - Seal/Shield
Pin No.: 101011
Weight (lbs.): $0.98 + 0.35 \times \text{BF}$
Roller No.: 28509 - BF
BF Range: 4 - 63
Option: Aluminum or PVC Tube

ROLLER CAPACITY CHART (LBS.)			
BF*	Bearing No. 102186	BF*	Bearing No. 102186
7	1872	37	735
10	1872	40	678
13	1872	43	629
16	1804	46	586
19	1494	49	549
22	1274	52	516
25	1111	55	487
28	985	58	462
31	885	61	424
34	803	63	396

* Between Frame Widths available from 4 in. to 63 in.