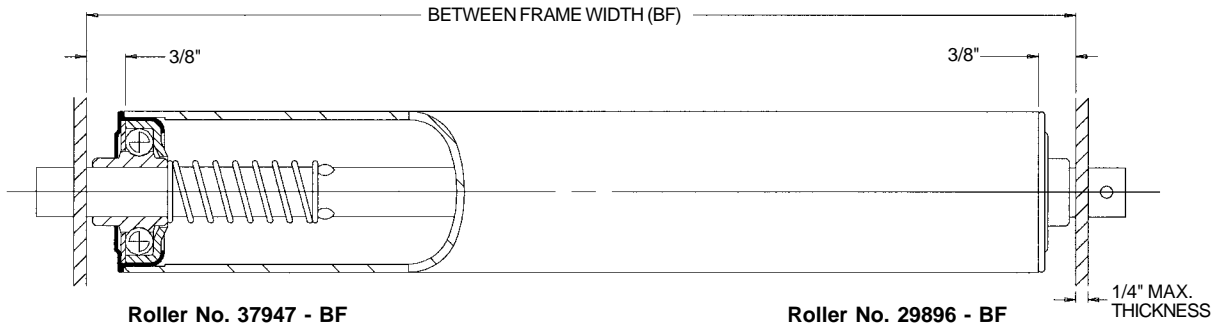


## Roller 1 5/8 in. O.D. x 14 ga. - 1/2 in. Round Axle



Roller No. 37947 - BF

Roller No. 29896 - BF

**Description:**

**Tube:** 1 5/8 in. O.D. x 14 ga. (.083 in.)

**Axle:** 1/2 in. Round

**Spring No.:** 11375

**Pin No.:** 101010

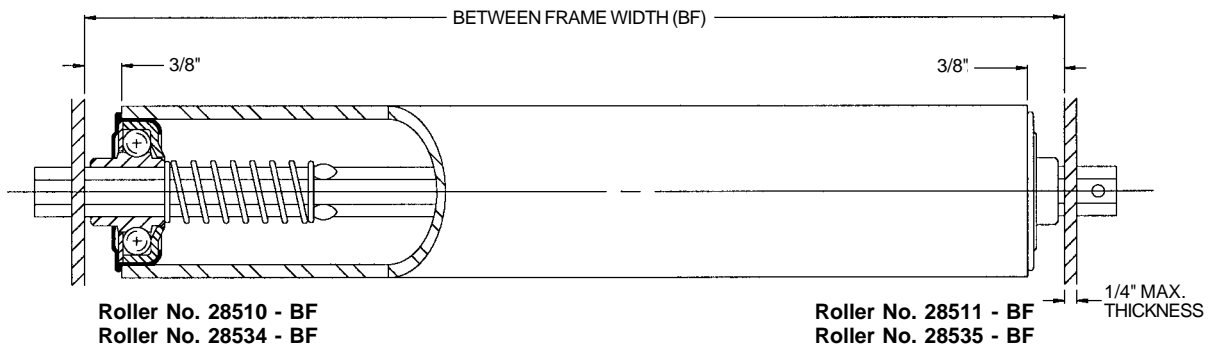
**Weight (lbs.):** 0.45 + 0.17 x BF

Roller No.	Bearing No.	Retained	BF
29896 - BF	102181 - Plain	Pin	3 - 63
37947 - BF	102181 - Plain	Spring	7 - 63

BF*	Bearing No. 102181	BF*	Bearing No. 102181
7	290	37	290
10	290	40	290
13	290	43	288
16	290	46	269
19	290	49	252
22	290	52	237
25	290	55	224
28	290	58	212
31	290	61	201
34	290	63	195

\* Other Between Frame Widths available. See chart at left.

## Roller 1 3/4 in. O.D. x 10 ga. - 7/16 in. Hex Axle



Roller No. 28510 - BF  
Roller No. 28534 - BF

Roller No. 28511 - BF  
Roller No. 28535 - BF

**Description:**

**Tube:** 1 3/4 in. O.D. x 10 ga. (.134 in.)

**Axle:** 7/16 in. Hex

**Spring No.:** 11375

**Pin No.:** 101010

**Weight (lbs.):** 0.27 + 0.24 x BF

Roller No.	Bearing No.	Retained	BF
28510 - BF	102052 - Plain	Spring	7 - 63
28511 - BF	102052 - Plain	Pin	3 - 63
28534 - BF	102053 - Seal	Spring	7 - 63
28535 - BF	102053 - Seal	Pin	3 - 63

BF*	Bearing No. 102052 / 102053	BF*	Bearing No. 102052 / 102053
7	290	37	240
10	290	40	222
13	290	43	206
16	290	46	192
19	290	49	180
22	290	52	169
25	290	55	160
28	290	58	152
31	288	61	144
34	262	63	139

\* Other Between Frame Widths available. See chart at left.