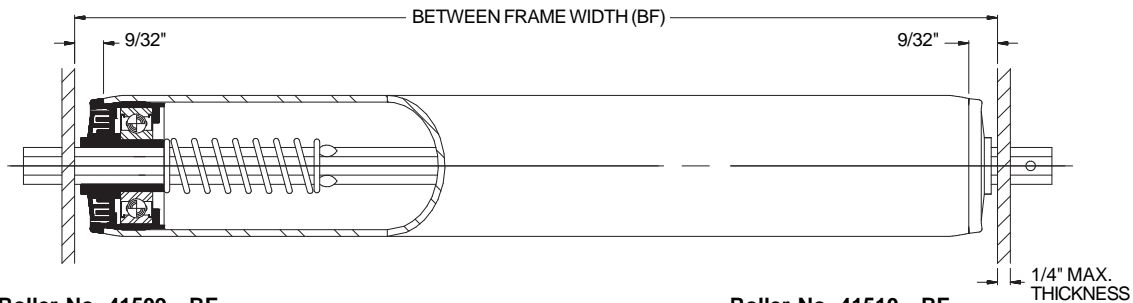


NEW QUIET ROLLER

Roller 1 3/8 in. O.D. x 16 ga. - 5/16 in. Hex Axle for High Speed, Low Noise Applications



Roller No. 41509 - BF

Description:

Tube: 1 3/8 in. O.D. x 16 ga. (.065 in.)

Axle: 5/16 in. Hex

Spring No.: 11372

Pin No.: 101136

Weight (lbs.): 0.06 + 0.10 x BF

Option: Galvanized Tube, Grooved Roller

Roller No.	Bearing No.	Retained	BF
41509 - BF	113499 - Shield	Spring	7 - 39
41510 - BF	113499 - Shield	Pin	4 - 39

Roller No. 41510 - BF

ROLLER CAPACITY CHART (LBS.)			
BF*	Bearing No. 113499	BF*	Bearing No. 113499
7	100	25	61
9	100	27	56
11	100	29	52
13	100	31	48
15	100	33	45
17	91	35	43
19	81	37	40
21	73	39	38
23	66		

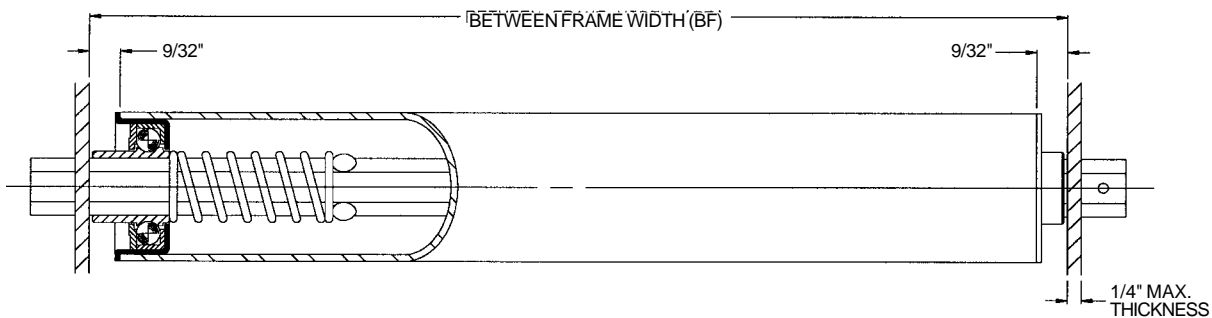
* Between Frame Widths available from 4 in. to 39 in.

The double labyrinth shielding housing is shown for this roller.

Other seal/shield arrangements are available for the ABEC #1 bearing. Ask for details.

Rollers, Bearings & Wheels

Roller 1 3/8 in. O.D. x 16 ga. - 7/16 in. Hex Axle



Roller No. 37974 - BF

Roller No. 37975 - BF

Description:

Tube: 1 3/8 in. O.D. x 16 ga. (.065 in.)

Axle: 7/16 in. Hex

Spring No.: 11375

Pin No.: 101010

Weight (lbs.): 0.17 + 0.12 x BF

Roller No.	Bearing No.	Retained	BF
37974 - BF	110528 - Plain	Spring	7 - 39
37975 - BF	110528 - Plain	Pin	3 - 39

ROLLER CAPACITY CHART (LBS.)			
BF*	Bearing No. 110528	BF*	Bearing No. 110528
7	170	25	170
9	170	27	170
11	170	29	170
13	170	31	170
15	170	33	170
17	170	35	170
19	170	37	170
21	170	39	170
23	170		

* Other Between Frame Widths available. See chart at left.