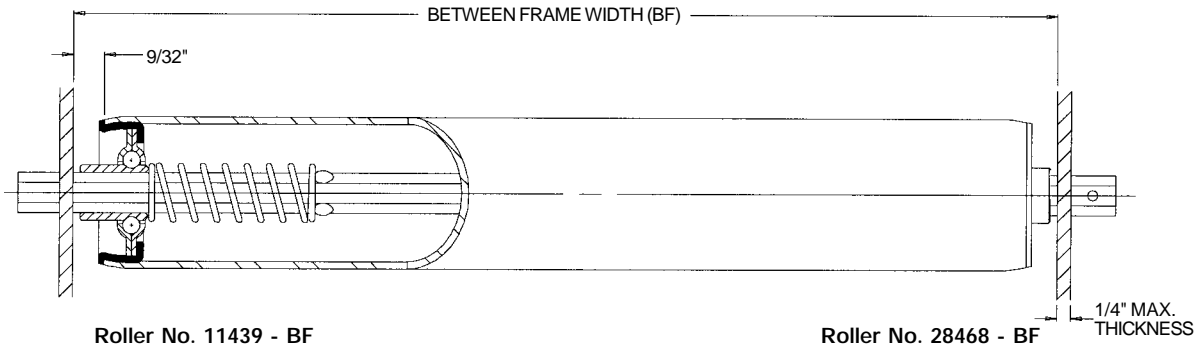


## Roller 1 3/8 in. O.D. x 16 ga. - 5/16 in. Hex Axle



Roller No. 11439 - BF

Roller No. 28468 - BF

**Description:**

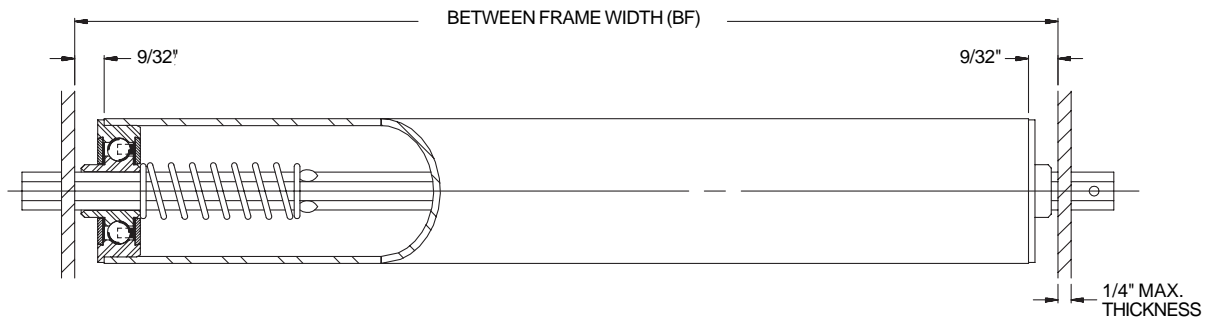
- Tube:** 1 3/8 in. O.D. x 16 ga. (.065 in.)
- Axle:** 5/16 in. Hex
- Spring No.:** 11372
- Pin No.:** 101136
- Weight (lbs.):** 0.16 + 0.10 x BF
- Option:** Grooved Roller

Roller No.	Bearing No.	Retained	BF
11439 - BF	102044 - Plain	Spring	7 - 39
28468 - BF	102044 - Plain	Pin	4 - 39

ROLLER CAPACITY CHART (LBS.)			
BF*	Bearing No. 102044	BF*	Bearing No. 102044
7	94	25	94
9	94	27	94
11	94	29	94
13	94	31	88
15	94	33	83
17	94	35	78
19	94	37	73
21	94	39	70
23	94		

\* Other Between Frame Widths available. See chart at left.

## Roller 1 3/8 in. O.D. x 16 ga. - 5/16 in. Hex Axle



Roller No. 38113 - BF

Roller No. 41511 - BF

**Description:**

- Tube:** 1 3/8 in. O.D. x 16 ga. (.065 in.)
- Axle:** 5/16 in. Hex
- Spring No.:** 11372
- Pin No.:** 101136
- Weight (lbs.):** 0.10 + 0.10 x BF
- Option:** Galvanized Tube, Grooved Roller

Roller No.	Bearing No.	Retained	BF
38113 - BF	102274 - Seal/Shield	Spring	7 - 39
41511 - BF	102274 - Seal/Shield	Pin	3 - 39

ROLLER CAPACITY CHART (LBS.)			
BF*	Bearing No. 102274	BF*	Bearing No. 102274
7	346	25	117
9	346	27	108
11	279	29	101
13	233	31	94
15	200	33	88
17	175	35	83
19	156	37	78
21	141	39	74
23	128		

\* Between Frame Widths available from 3 in. to 39 in.