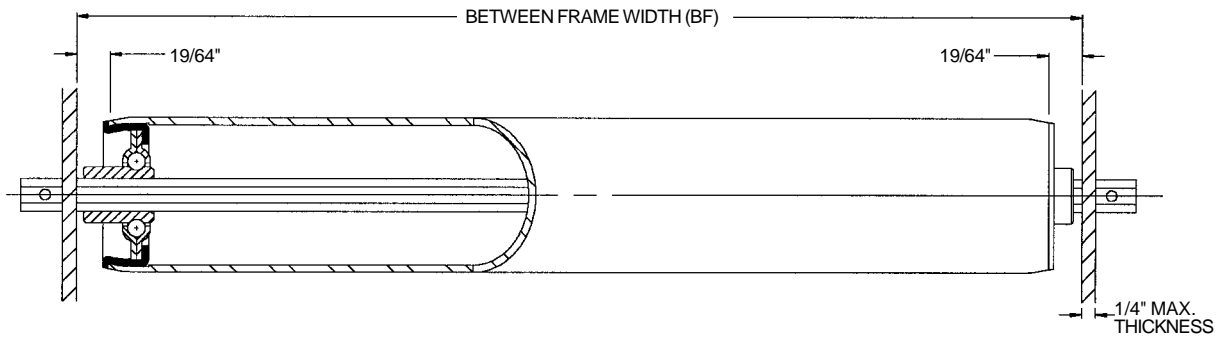


Roller 1 3/8 in. O.D. x 16 ga. - 1/4 in. Hex Axle



Description:

Tube: 1 3/8 in. O.D. x 16 ga. (.065 in.)

Axle: 1/4 in. Hex

Bearing No.: 102178 - Plain

Pin No.: 101136

Weight (lbs.): $0.11 + 0.12 \times BF$

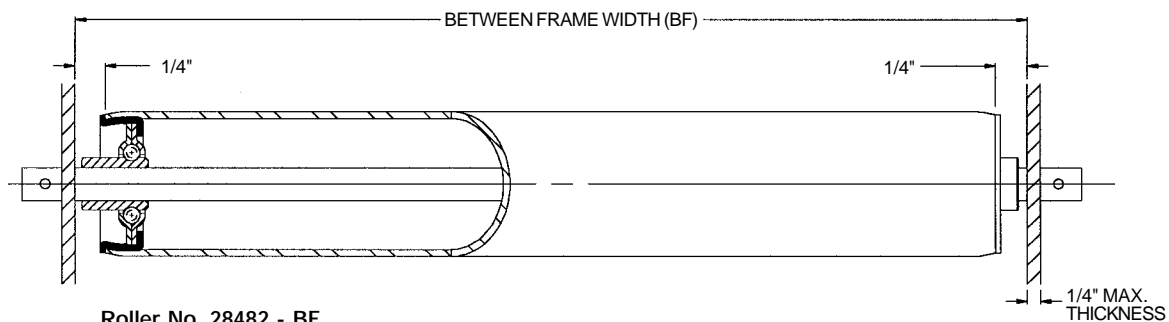
Roller No.: 28481 - BF

BF Range: 4 - 27

ROLLER CAPACITY CHART (LBS.)			
BF*	Bearing No. 102178	BF*	Bearing No. 102178
7	94	18	54
8	94	19	51
9	94	20	49
10	94	21	46
11	93	22	44
12	84	23	42
13	77	24	40
14	71	25	38
15	66	26	37
16	62	27	35
17	58		

* Between Frame Widths available from 3 in. to 27 in.

Roller 1 3/8 in. O.D. x 16 ga. - 5/16 in. Round Axle



Roller No. 28482 - BF

Description:

Tube: 1 3/8 in. O.D. x 16 ga. (.065 in.)

Axle: 5/16 in. Round

Spring No.: 31441

Pin No.: 101136

Weight (lbs.): $0.12 + 0.13 \times BF$

Roller No.	Bearing No.	Retained	BF
28482 - BF	102241 - Plain	Pin	4 - 39
37819 - BF	102241 - Plain	Spring	6 - 39

ROLLER CAPACITY CHART (LBS.)			
BF*	Bearing No. 102241	BF*	Bearing No. 102241
7	120	25	90
9	120	27	83
11	120	29	77
13	120	31	72
15	120	33	68
17	120	35	64
19	120	37	60
21	108	39	57
23	98		

* Other Between Frame Widths available. See chart at left.