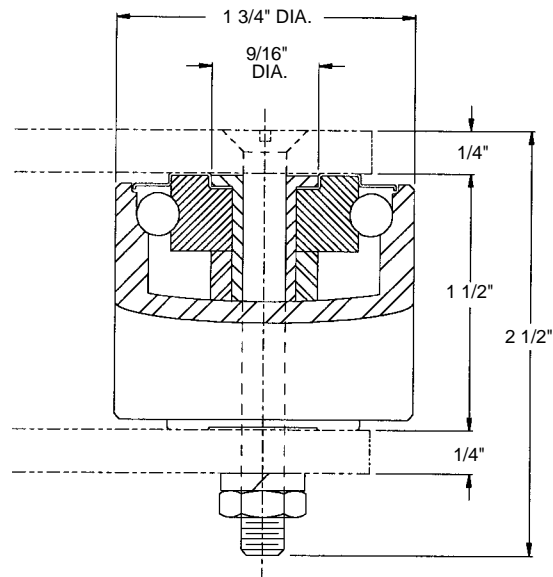


Description:

- Semi-precision bearing
- Full complement of balls
- 415 lb. per roller load rating
- Hardened roller face
- Non-Regreasable

Note: *Zero clearance between OAC and frame is required.*



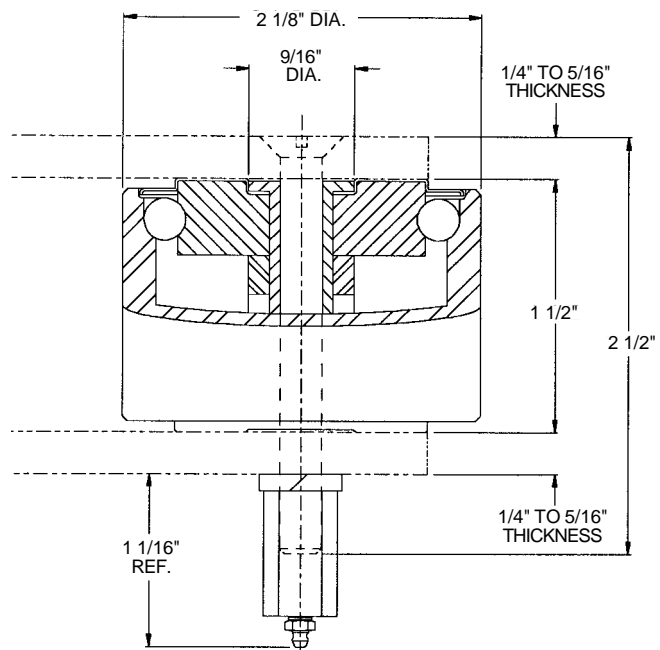
Roller No. 111654
with Pin No. 31431

Note: *Rollers and pins can be purchased separately.*

Description:

- Semi-precision bearing
- Full complement of balls
- 415 lb. per roller load rating
- Hardened roller face
- Regreasable using pin as shown

Note: *Zero clearance between OAC and frame is required.*



Roller No. 111658
with Pin No. 31431 & Lube Nut No. 31432