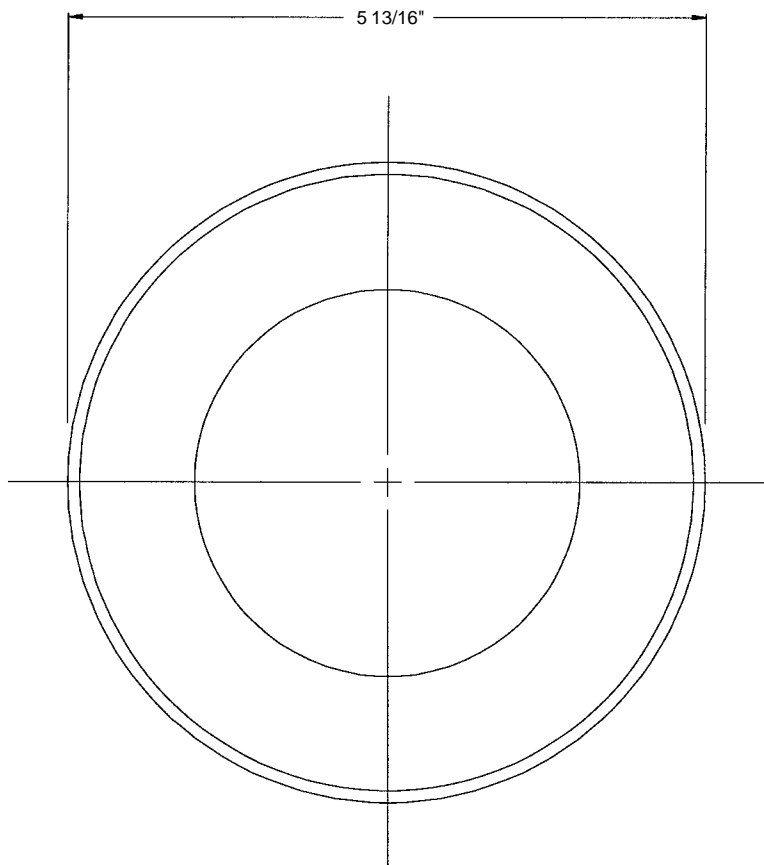
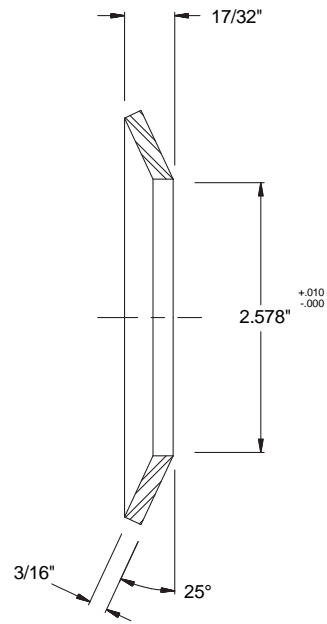


**Part No. 38124**  
For 2 9/16 in. diameter roller



**Part No. 38179**  
For 3 1/2 in. diameter roller

