

Rollers with Shot Guards

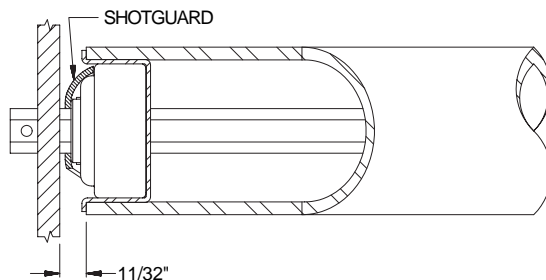
#40825 Roller - 1.9 in. O.D. x .145 in. Wall - 7/16 in. Hex Axle

Description:

Bearing No.: 112957-O

Adapter No.: 112958

Shotguard No.: 102209

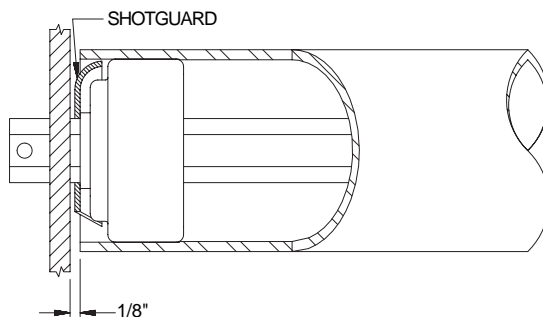


#39621 Roller - 2 1/2 in. O.D. x 11 g a. - 11/16 in. Hex Axle
#22685 Roller - 2 9/16 in. O.D. x .180 in. Wall - 11/16 in. Hex Axle

Description:

Bearing No.: 102084 - GP

Shotguard No.: 102210



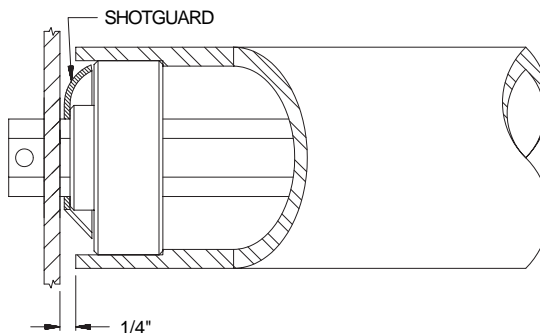
#39858 Roller - 3 1/2 in. O.D. x .300 in. Wall - 1 1/16 in. Hex Axle

Description:

Bearing No.: 102101 - GP

Optional Bearing No.: 102157 - GP

Shotguard No.: 102211

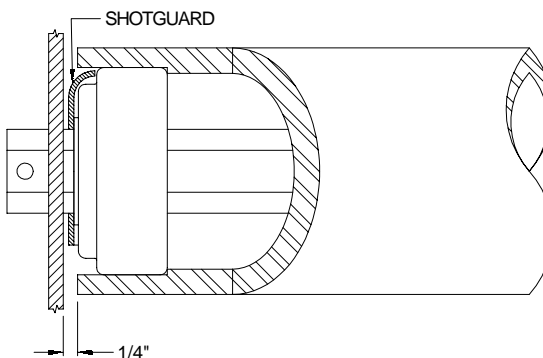


#41656 Roller - 4 1/4 in. O.D. x .4375 in. Wall - 1 1/4 in. Hex Axle

Description:

Bearing No.: 102205 - GP

Shotguard No.: 102212



Rollers, Bearings & Wheels