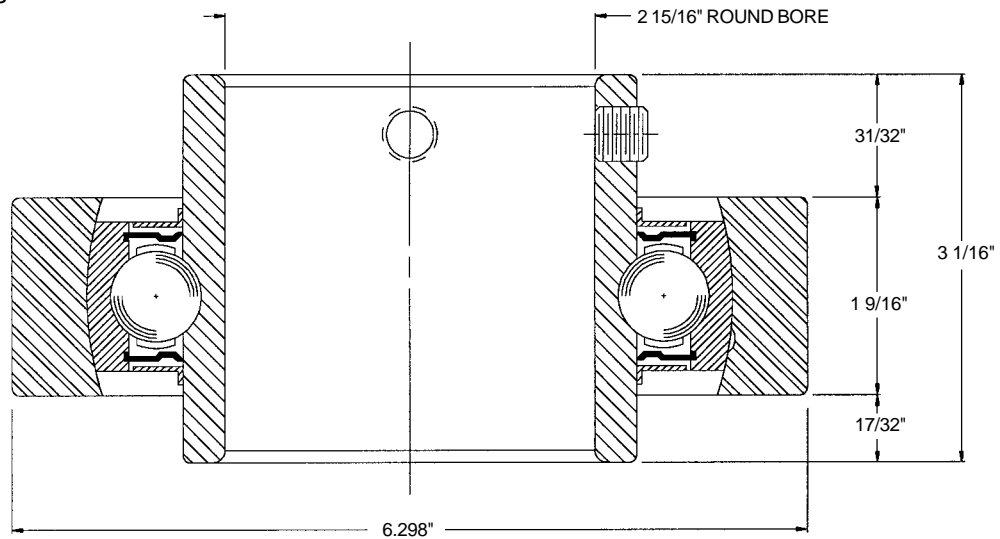


Description:

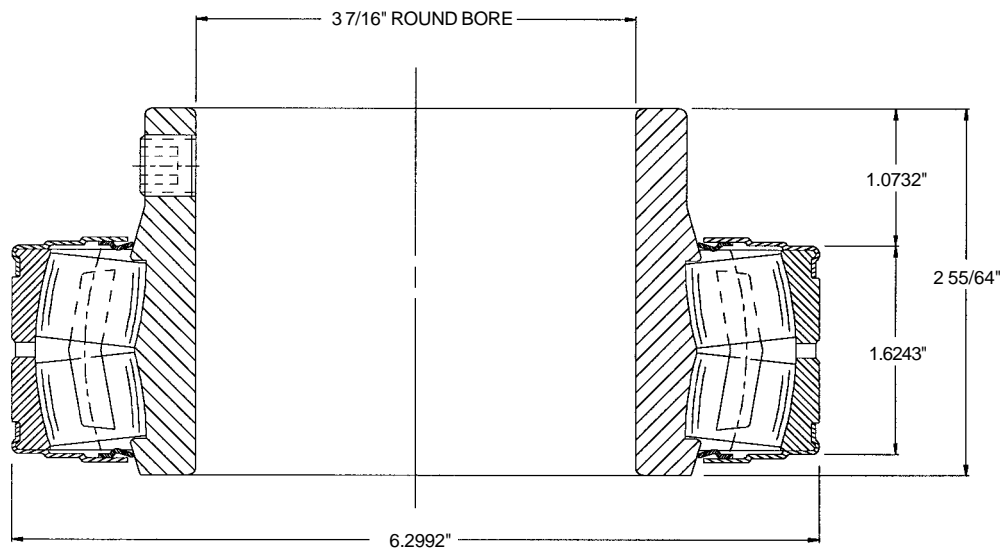
- Machined bearing sleeve - Part No. 27971
- Spherical O.D. precision bearing
- 7939 lb. per bearing load rating
- Ten 23/32 in. dia. hardened chrome alloy steel balls
- Ball retainers
- Front and back synthetic rubber seal
- Front and back shield



Assembly Part No. 27965 - Bearing No. 102219

Description:

- Straight faced type precision bearing
- 49,700 lb. per bearing load rating
- Spherical roller bearings with cage separator
- Front and back nylon seal
- Front and back shield



Bearing No. 102204

(652124)