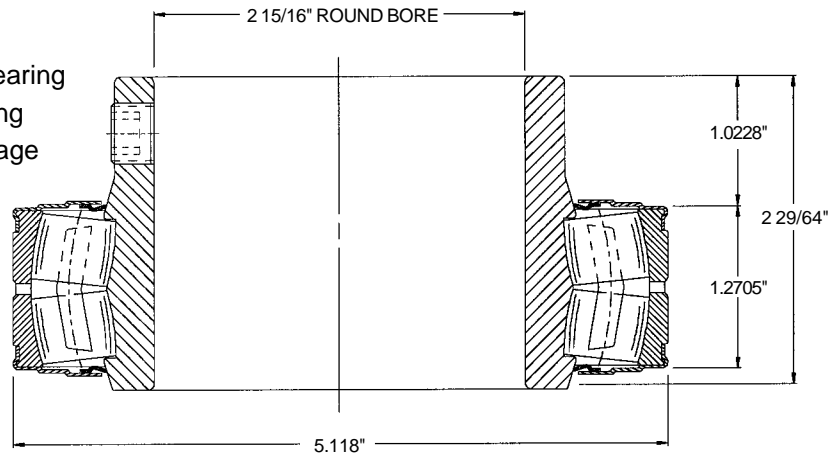


Body Diameter = 5.118 in.

Description:

- Straight-faced type precision bearing
- 32,230 lb. per bearing load rating
- Spherical roller bearings with cage separator
- Front and back nylon seal
- Front and back shield



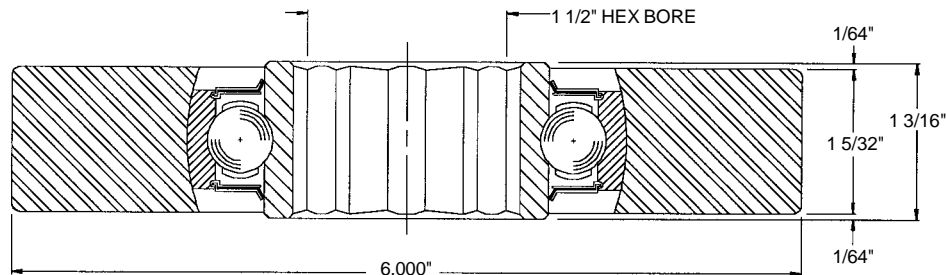
Bearing No. 102203

(452124)

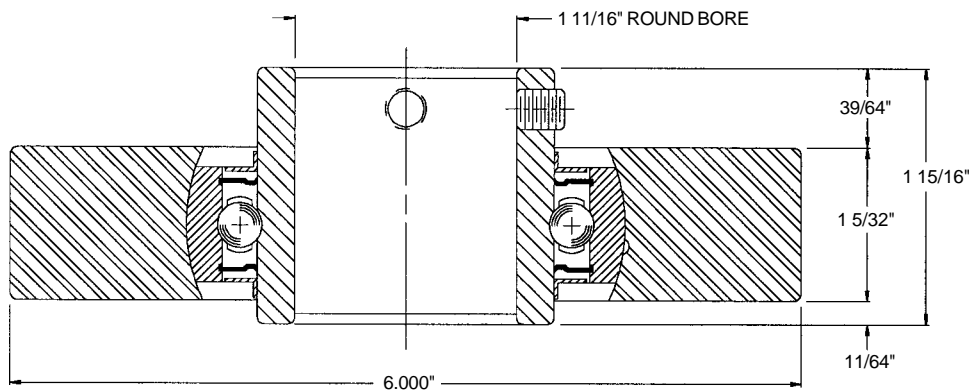
Body Diameter = 6.000 in.

Description:

- Machined bearing sleeve - Part No. 27970
- Spherical O.D. precision bearing
- 3918 lb. per bearing load rating
- Nine 1/2 in. dia. hardened chrome alloy steel balls
- Ball retainers
- Front and back synthetic rubber seal
- Front and back shield



Assembly Part No. 27963 - Bearing No. 102222



Assembly Part No. 27964 - Bearing No. 102165

(2BRRK902, 72-902CU)