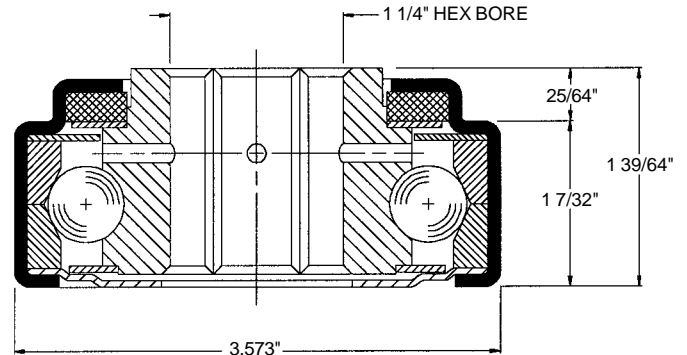


## Body Diameter = 3.573 in.

### Description:

- Straight-faced type non-precision bearing
- 2250 lb. per bearing load rating
- Thirteen 9/16 in. dia. hardened steel balls
- Pressed steel outer shell
- Front felt seal
- Front and back labyrinth shield
- Inner race drilled for pressure lubrication



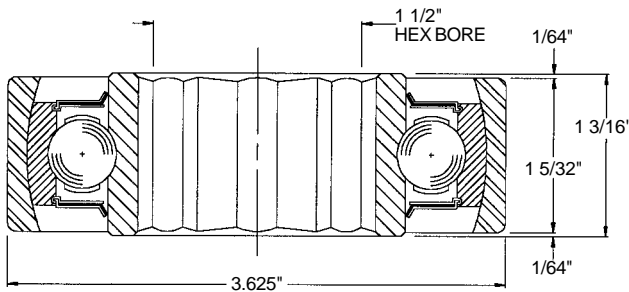
Bearing No. 102205

(2-1011B)

## Body Diameter = 3.625 in.

### Description:

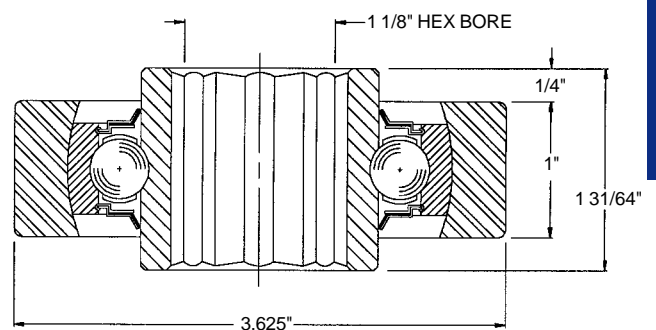
- Machined bearing sleeve - Part No. 26839
- Spherical O.D. precision bearing
- 3918 lb. per bearing load rating
- Nine 1/2 in. dia. hardened chrome alloy steel balls
- Ball retainers
- Front and back synthetic rubber seal
- Front and back shield



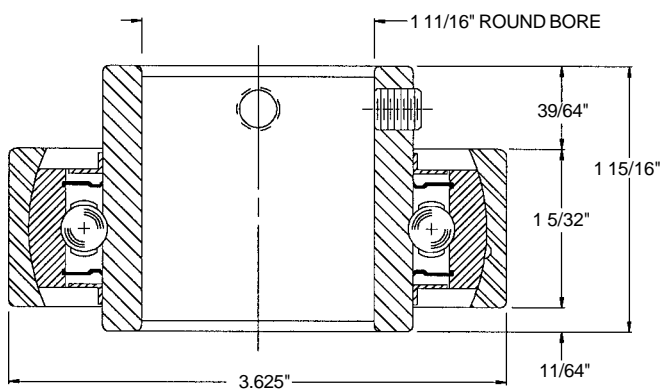
Assembly Part No. 27953 - Bearing No. 102222

### Description:

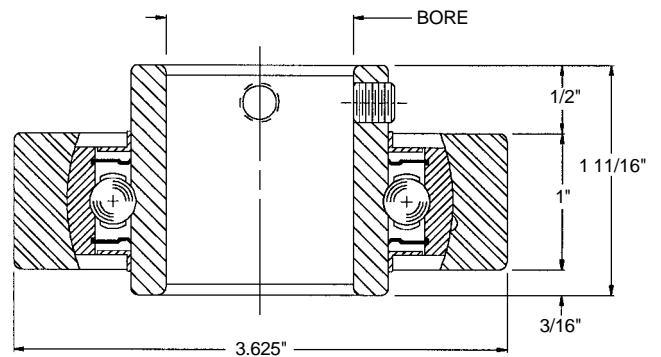
- Machined bearing sleeve - Part No. 24865
- Spherical O.D. precision bearing
- 3086 lb. per bearing load rating
- Nine 7/16 in. dia. hardened chrome alloy steel balls
- Ball retainers
- Front and back synthetic rubber seal
- Front and back shield



Assembly Part No. 27952 - Bearing No. 102220



Assembly Part No. 26838 - Bearing No. 102165



1 3/8 in. Round Bore - Assembly Part No. 27955 - Bearing No. 102215

1 7/16 in. Round Bore - Assembly Part No. 24864 - Bearing No. 102147

(2BRRK902, 72-902CU, 9BRRK702, 22-702CU, 32-702CU)