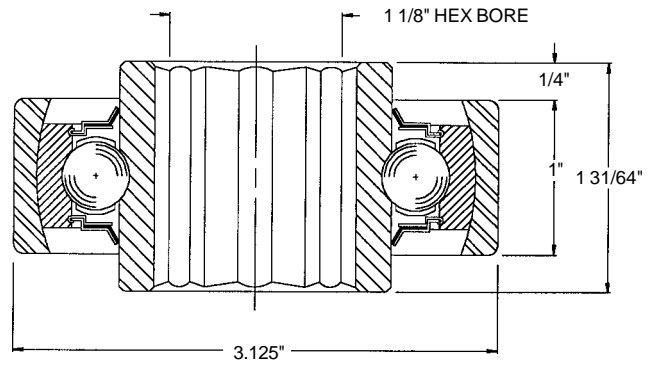


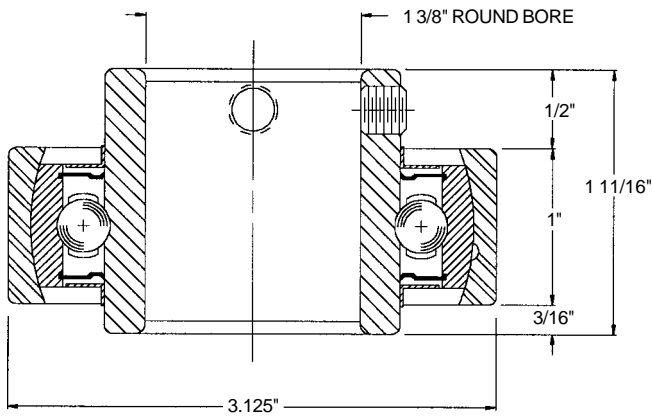
Body Diameter = 3.125 in.

**Description:**

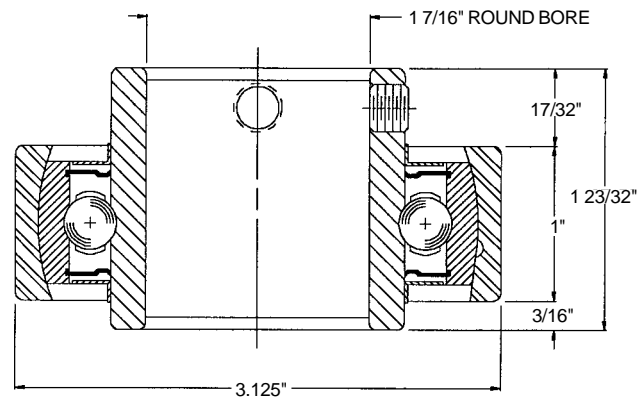
- Machined bearing sleeve - Part No. 24863
- Spherical O.D. precision bearing
- 3086 lb. per bearing load rating
- Nine 7/16 in. dia. hardened chrome alloy steel balls
- Ball retainers
- Front and back synthetic rubber seal
- Front and back shield



Assembly Part No. 27949 - Bearing No. 102220



Assembly Part No. 27951 - Bearing No. 102215



Assembly Part No. 24862 - Bearing No. 102147

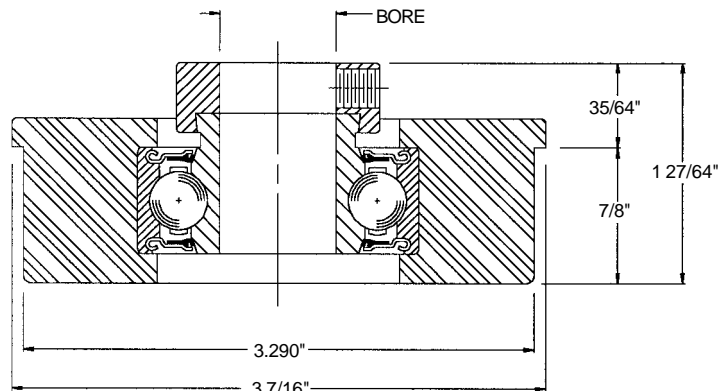
(9BRRK702, 22-702CU, 32-702CU)

Body Diameter = 3.290 in.

**Description:**

- Flanged synthetic rubber bearing sleeve
- Straight-faced type precision bearing
- 150 lb. per bearing load rating
- Front and back synthetic rubber seal
- Front and back shield

Bearing Number	Bore Size
102146	3/4" Round
102198	1" Round



(4/3-RC, 1-RCL)