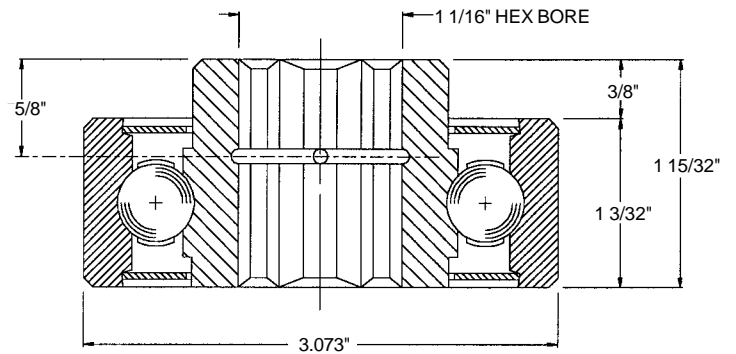


Description:

- Straight-faced type semi-precision bearing
- 2065 lb. per bearing load rating
- Eight 1/2 in. dia. hardened steel balls
- Ball retainers
- Front and back teflon seal



Bearing No. 102101

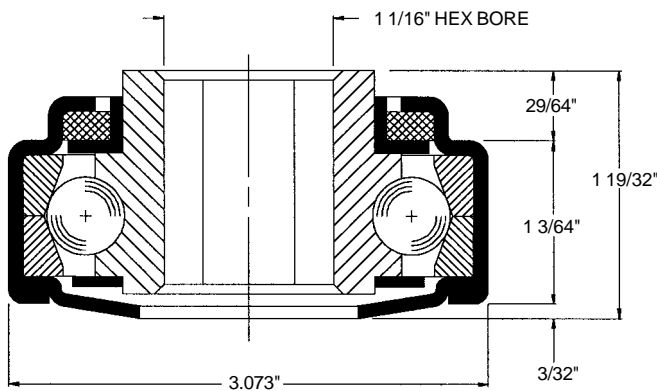
(0636212)

Inner Race Drilled for Pressure Lubrication

Description:

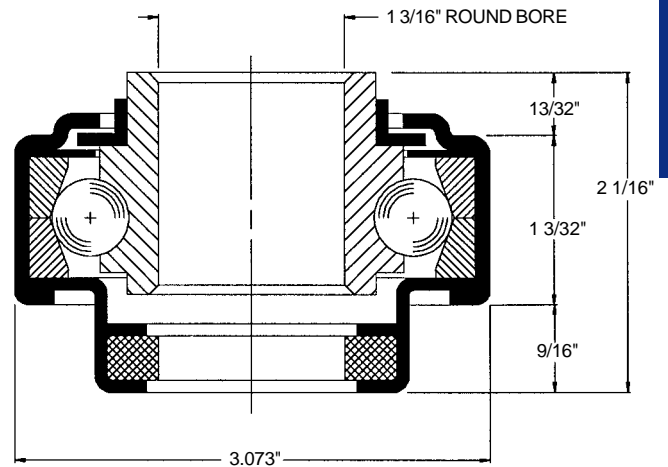
- Straight-faced type non-precision bearing
- 1250 lb. per bearing load rating

- Thirteen 1/2 in. dia. hardened steel balls
- Pressed steel outer shell



Bearing No. 102157

Front Felt Seal and Back Labyrinth Shield



Bearing No. 102197

Front Labyrinth Shield and Back Felt Seal
Regreasable

(2-4801B, 2-5801B)