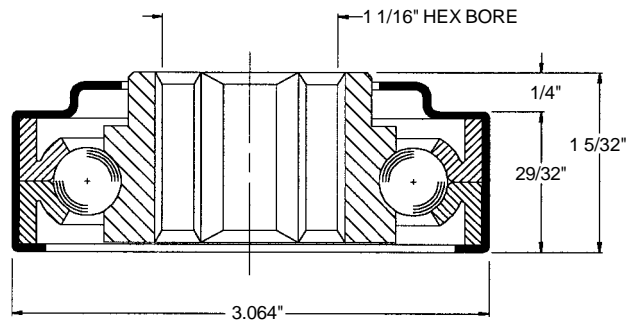
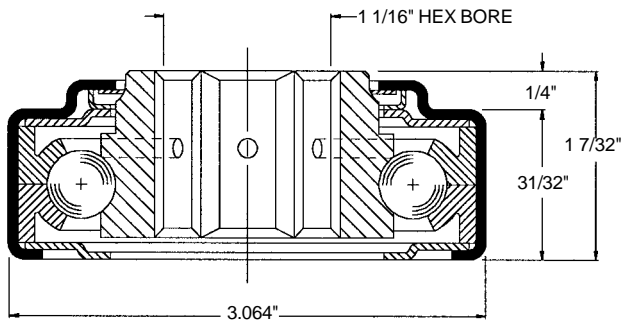


Description:

- Straight-faced type non-precision bearing
- 520 lb. per bearing load rating
- Fifteen 7/16 in. dia. hardened steel balls
- Pressed steel outer shell

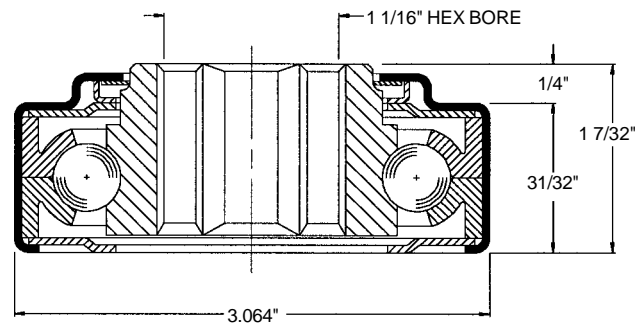


Bearing No. 102060



Bearing No. 102086

Front Shield and Teflon Seal and Back Closure
Inner Race Drilled for Pressure Lubrication



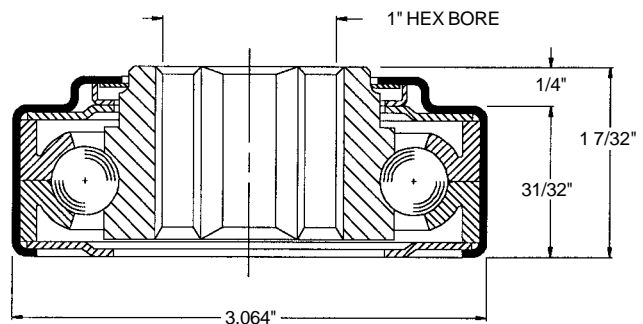
Bearing No. 102061

Front Shield and Teflon Seal and Back Closure

(5603, 0803, 2803)

Description:

- Straight-faced type non-precision bearing
- 520 lb. per bearing load rating
- Fifteen 7/16 in. dia. hardened steel balls
- Pressed steel outer shell
- Front teflon seal and back closure
- Front shield



Bearing No. 102314

(7803)