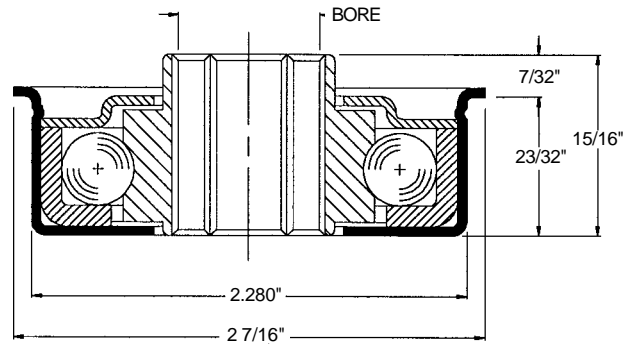


Body Diameter = 2.280 in.

Description:

- Flanged type non-precision bearing
- 425 lb. per bearing load rating
- Thirteen 3/8 in. dia. hardened steel balls
- Pressed steel outer shell
- Front and back shield

Bearing Number	Bore Size
102195	1/2" Round
102268	3/4" Hex
102273	3/4" Round
102164	11/16" Hex



Bearing No. 102164

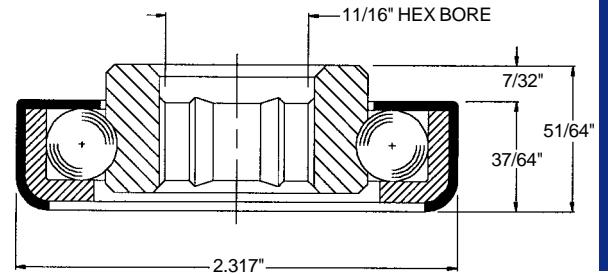
(VH11-0822-CFM, V21-0822-CFM, VH21-0822-CFM, V8-0822-CFM)

Body Diameter = 2.317 in.

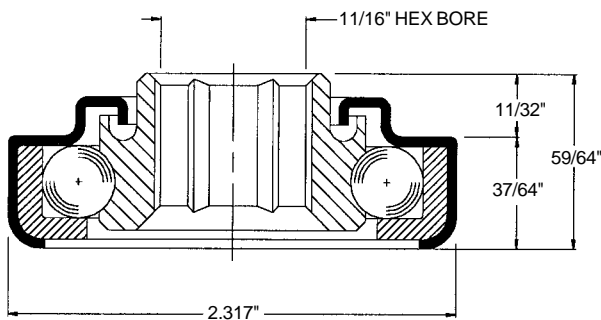
Description:

- Straight faced type non-precision bearing
- 325 lb. per bearing load rating
- Thirteen 3/8 in. dia. hardened steel balls
- Pressed steel outer shell

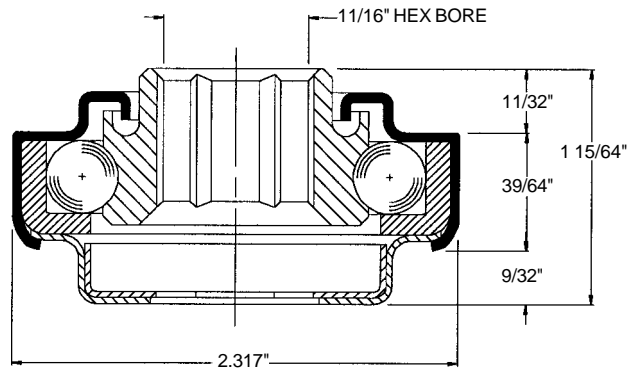
Note: Not recommended for CDLR applications. Ref. #102041



Bearing No. 102054



Bearing No. 102055
Front Labyrinth Shield



Bearing No. 102056
Front Labyrinth Shield and Back Closure
Regreasable

(LP3114, TD3114, SG3114)