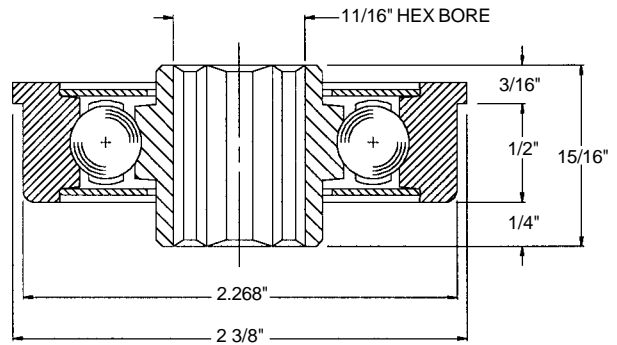


Description:

- Flanged type semi-precision bearing
- 1113 lb. per bearing load rating
- Seven 13/32 in. dia. hardened steel balls
- Ball retainers
- Front and back nylon seal

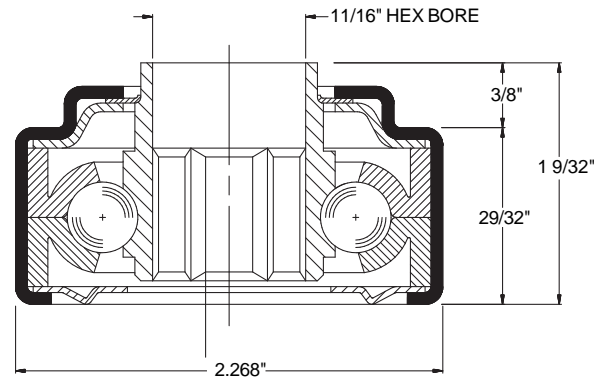


Bearing No. 102139

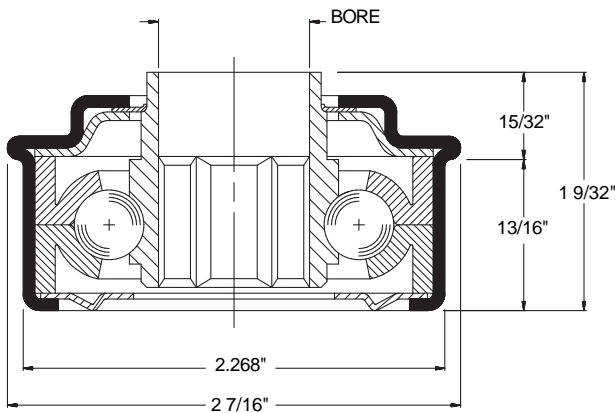
(0063790)

Description:

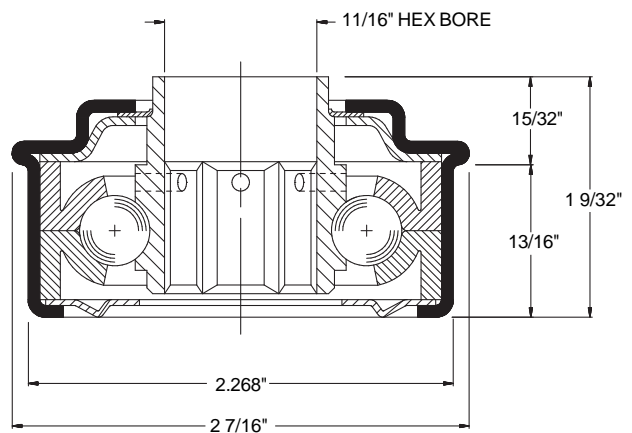
- Flanged type non-precision bearing
- 290 lb. per bearing load rating
- Eleven 3/8 in. dia. hardened steel balls
- Pressed steel outer shell
- Front teflon seal and back closure



11/16 Hex Bore - **Bearing No. 102084**
Straight Faced Type



Bearing Number	Bore Size
102130	5/8" Hex
102041	11/16" Hex



11/16 Hex Bore - **Bearing No. 102229**
Inner Race Drilled for Pressure Lubrication

(9352, 2352)

(2362, 0352)