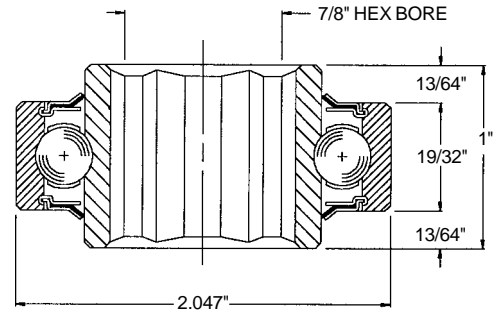


Body Diameter = 2.047 in.

**Description:**

- Straight-faced type precision bearing
- 1678 lb. per bearing load rating
- Nine 5/16 in. dia. hardened chrome alloy steel balls
- Ball retainers
- Front and back rubber seal
- Front and back shield



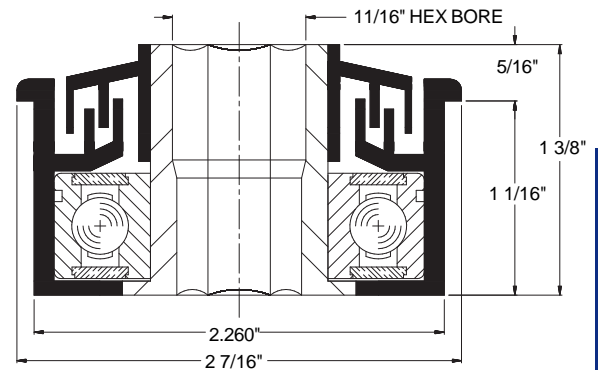
**Bearing No. 102193**

(2RRK502)

Body Diameter = 2.260 in.

**Description:**

- ABEC-1 rated precision bearing mounted in a polypropylene housing and low carbon sintered metal hex adapter
- 200 lb. bearing assembly capacity
- Standard bearing 6205
- Ball retainer
- Front double-labyrinth shielded housing
- Front and back bearing contact seal
- Designed for high speed and low noise applications
- Polypropylene housing is electrically conductive



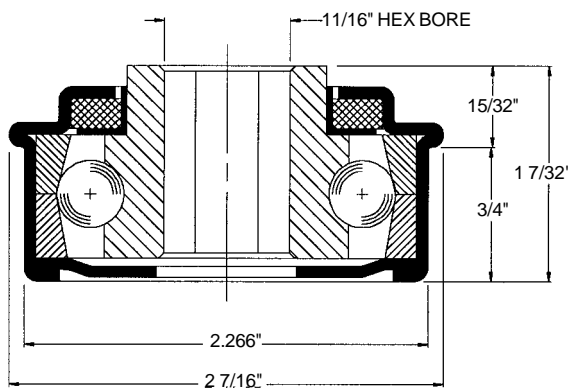
**Bearing No. 113498**

(9B3)

Body Diameter = 2.266 in.

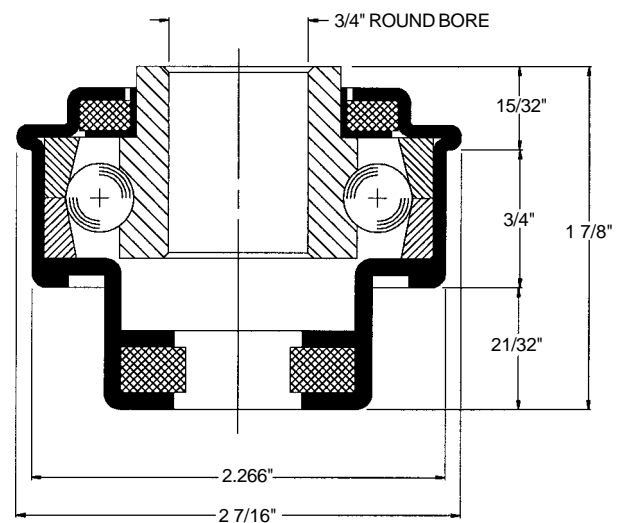
**Description:**

- Flanged type non-precision bearing
- 305 lb. per bearing load rating
- Twelve 3/8 in. dia. hardened steel balls
- Pressed steel outer shell
- Front and back shield



**Bearing No. 102158**

Front Felt Seal



**Bearing No. 102194**

Front and Back Felt Seal  
Regreasable

(2-4601, 2-3601)