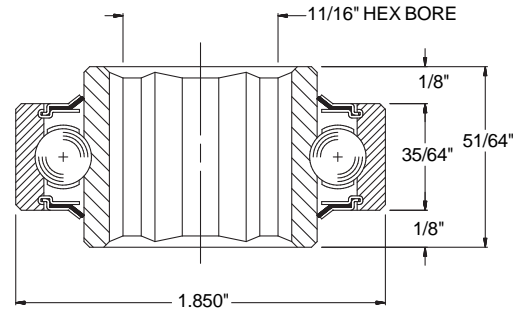


Bearings

Body Diameter = 1.850 in.

Description:

- Straight-faced type precision bearing
- 1532 lb. per bearing load rating
- Eight 5/16 in. dia. hardened chrome alloy steel balls
- Ball retainers
- GP - Grease packed bearing has front and back shield and seal
- Oil - Oiled bearing has front and back shield without seal



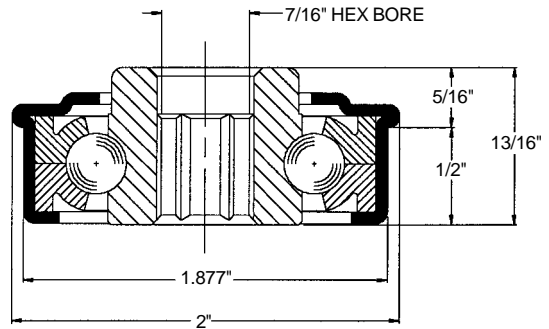
GP Bearing No. 102191-GP
OIL Bearing No. 112798-O

(2RRK402)

Body Diameter = 1.877 in.

Description:

- Flanged type non-precision bearing
- 190 lb. per bearing load rating
- Eleven 5/16 in. dia. hardened steel balls
- Pressed steel outer shell



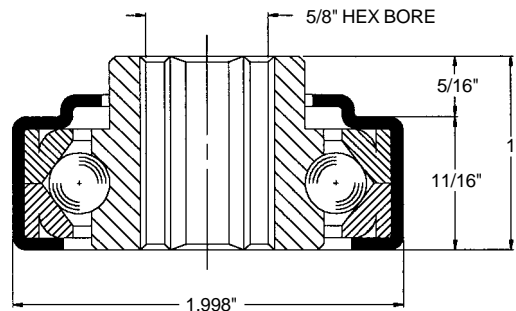
Bearing No. 102040

(5781)

Body Diameter = 1.998 in.

Description:

- Straight-faced type non-precision bearing
- 225 lb. per bearing load rating
- Thirteen 5/16 in. dia. hardened steel balls
- Pressed steel outer shell



Bearing No. 102047

(0002)