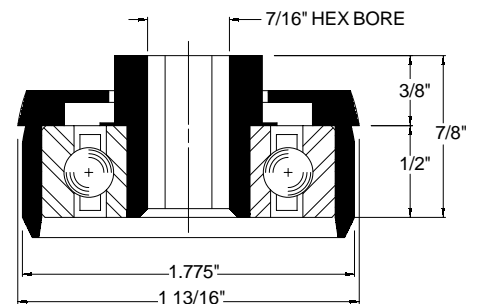


Body Diameter = 1.775 in.

Description:

- ABEC-1 rated precision bearing mounted in a polypropylene housing and hex adapter
- 150 lb. bearing assembly capacity
- Standard bearing 6203
- Ball retainers
- Front and back dust shield and grease packed
- Designed for high speed and low noise applications
- Polypropylene housing and hex adapter dissipates static electricity



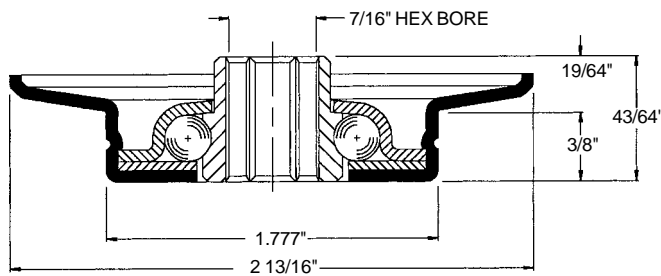
Bearing No. 111524

(H7-5771-FP)

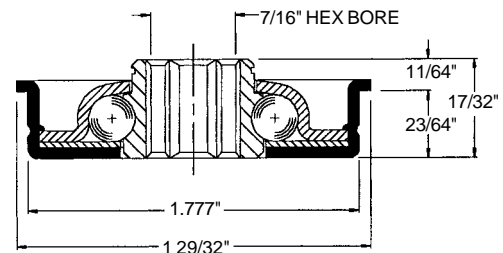
Body Diameter = 1.777 in.

Description:

- Flanged type non-precision bearing
- 130 lb. per bearing load rating
- Eleven 1/4 in. dia. hardened steel balls
- Pressed steel outer shell



Bearing No. 102131



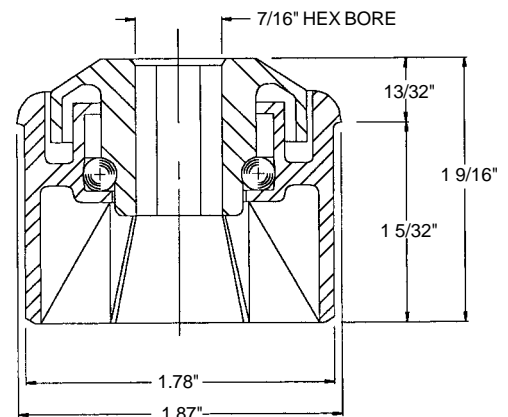
Bearing No. 102160

(5101, 5001)

Body Diameter = 1.780 in.

Description:

- Flanged type non-precision bearing
- 20 lb. per bearing load rating
- Fourteen 3/16 in. dia. stainless steel balls
- Polypropylene body and raceways
- Front labyrinth shield



Bearing No. 102132

(131.1)