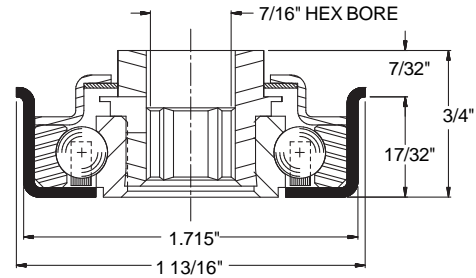


# Bearings

Body Diameter = 1.715 in.

**Description:**

- Flanged type semi-precision bearing
- 296 lb. per bearing load rating
- Eight 17/64 in. dia. hardened steel balls
- Ball retainers
- Front felt seal
- Regreasable



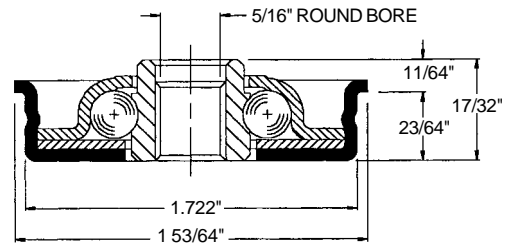
**Bearing No. 113500**

(SH7-2191-F)

Body Diameter = 1.722 in.

**Description:**

- Flanged type non-precision bearing
- 110 lb. per bearing load rating
- Eleven 1/4 in. dia. hardened steel balls
- Pressed steel outer shell



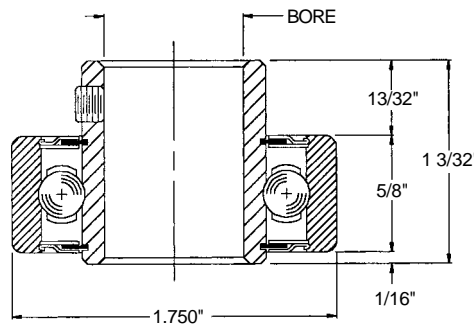
**Bearing No. 102185**

(5-2271F)

Body Diameter = 1.750 in.

**Description:**

- Straight-faced type precision bearing
- 936 lb. per bearing load rating
- Eight 1/4 in. dia. hardened chrome alloy steel balls
- Ball retainers
- Front and back synthetic rubber seal
- Front and back shield



Bearing Number	Bore Size
102187	5/8" Round
102186	3/4" Round

(0167, 2167)

Rollers, Bearings & Wheels