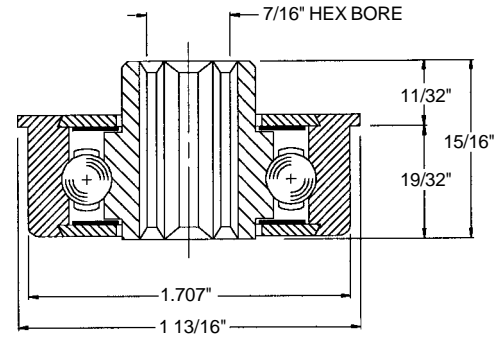


Body Diameter = 1.707 in.

Description:

- Flanged type semi-precision bearing
- 296 lb. per bearing load rating
- Eight 17/64 in. dia. hardened steel balls
- Ball retainers
- Front and back mylar seal
- Front and back shield
- Available in stainless steel



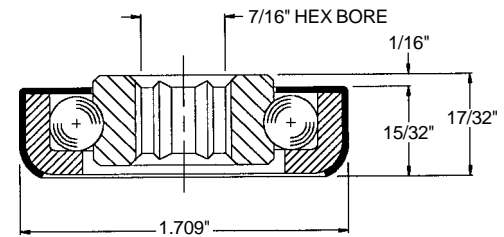
Bearing No. 102155

(SD1-H7-7071-RF)

Body Diameter = 1.709 in.

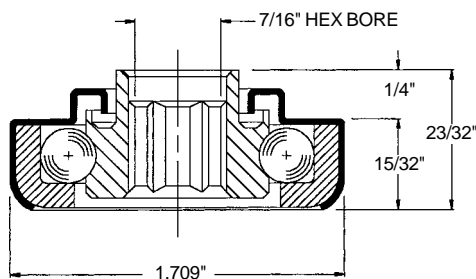
Description:

- Straight-faced type non-precision bearing
- 150 lb. per bearing load rating
- Twelve 9/32 in. dia. hardened steel balls
- Pressed steel outer shell



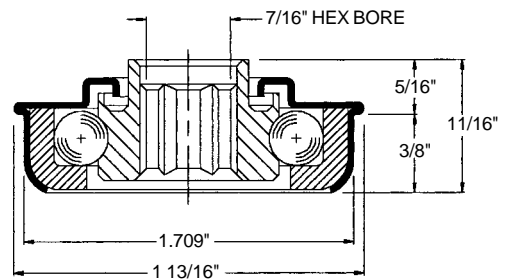
Bearing No. 102042

(114)



Bearing No. 102051

Front Labyrinth Shield



Bearing No. 102095

Flanged type - Front Labyrinth Shield

(214, 024)