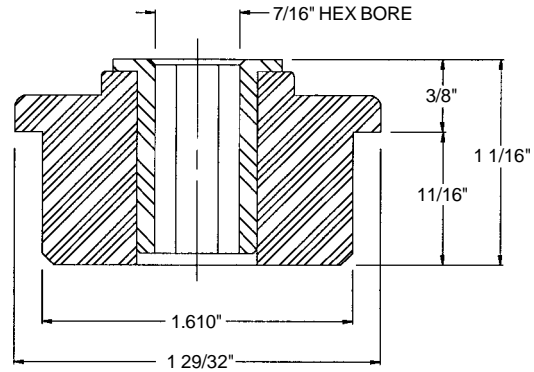


Bearings

Body Diameter = 1.610 in.

Description:

- Flanged type journal bearing
- 190 lb. per bearing load rating
- Acetal Resin body - molybdenum disulfide filled nylon hex axle adapter



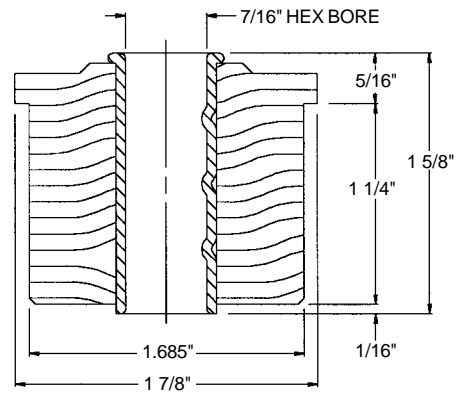
Bearing No. 102134

(8/5-DO4P21, 857HF)

Body Diameter = 1.685 in.

Description:

- Flanged type journal bearing
- 500 lb. per bearing load rating
- Oil impregnated hardwood body
- Carbon steel or stainless steel hex axle adapter (specify C or S)



Bearing No. 102133

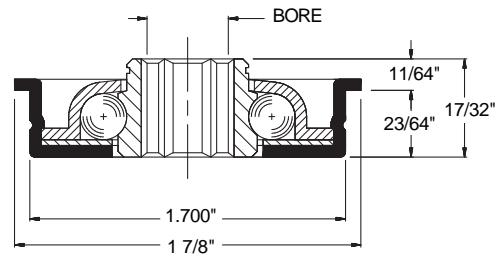
(612-RA)

Body Diameter = 1.700 in.

Description:

- Flanged type non-precision bearing
- 130 lb. per bearing load rating
- Eleven 1/4 in. dia. hardened steel balls
- Pressed steel outer shell

Bearing Number	Bore Size
102188	1/4" Round
102292	3/8" Hex
102248	5/16" Hex
102154	7/16" Hex
102255	1/2" Round



(8-1071F, H7-1071F, H5-1071F, H6-1071F, 4-1071F)

Rollers, Bearings & Wheels