

Rollers

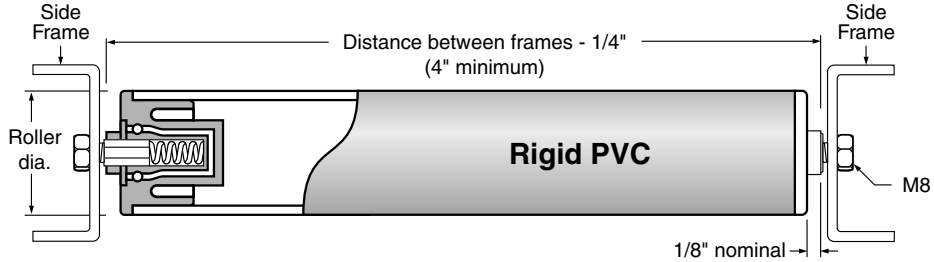


Type E

PVC Roller with Sealed End Ball Bearing



Bearing Type:	Ball
Bore Type:	Blind
Roller Material:	PVC

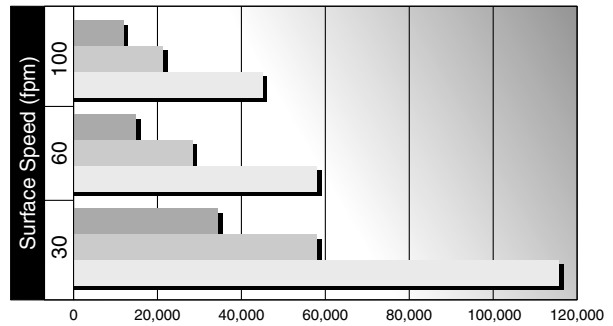


Our low friction roller with sealed end bearings prevents fluids and other contaminants from entering the tube. Useful in the processing industry due to the corrosion resistant materials that are USDA accepted for incidental contact with food products. Spring loaded, stainless steel stub shafts ease the assembly into a frame capable of accepting the M8 threaded attachments,

Roller material: beige, rigid PVC.

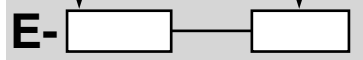
Estimated Bearing Life For Plastic Ball Bearings

Radial load lbs. per roller: 5 10 15



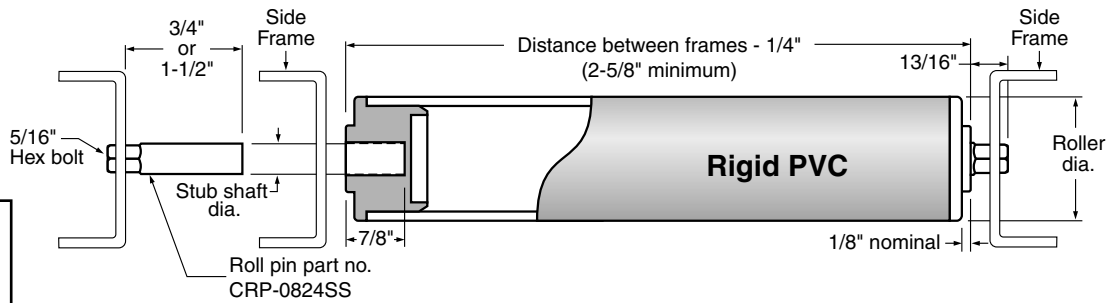
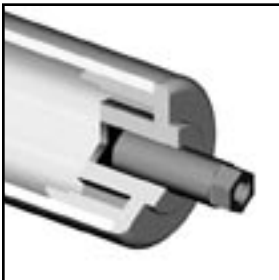
Estimated bearing life will be reduced by impact loads and by exposure of contaminants. If the distance between frames is greater than 12", load capacity will be limited by the rigidity of the PVC tubing.

Roller Diameter	Part No.	Description	Distance Between Frames
SBR220	1.90"		
SBR270	2.37"		



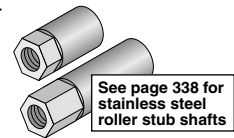
Type F

PVC Roller with Blind-Bore Sleeve Bearing



Type F roller is designed to provide added cleanliness and reduce potential areas of contamination. The one piece, blind bore sleeve bearing can accommodate a stainless steel roller stub shaft or extended pin chain attachment up to $\text{\O} 5/8$ ". Unless specified otherwise, rollers come with $\text{\O} 1/2$ " bores that can be used with our $\text{\O} 1/2$ ", 316 stainless steel roller stub shafts (see page 338) which are bolted directly to the side frame.

Roller material: beige, rigid PVC.
End plugs/bearing: beige acetal.



See page 338 for stainless steel roller stub shafts

Bearing Type:	Sleeve
Bore Type:	Blind
Roller Material:	PVC

Stub Shaft Diameter	Roller Diameter	Part No.	Description	Distance Between Frames
1/2" (other)	NR220	1.90"		
	NR270	2.38"		

