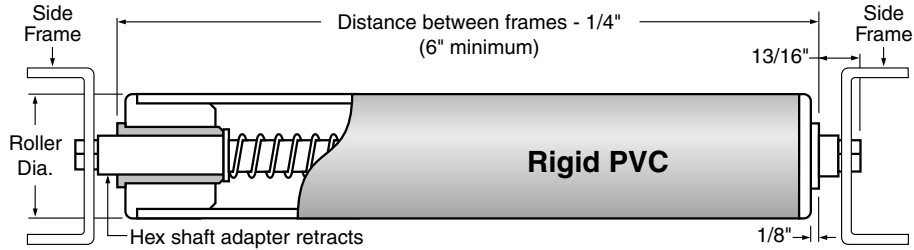




Rollers

Type A

PVC Roller with High Performance Sleeve Bearing



Our most popular all plastic roller, designed for belt driven conveyors and inclined gravity systems. Standard shafts extend 13/16" at each end of a roller. Custom extended shaft lengths are available. This roller can be purchased without a shaft if you prefer (leave shaft information out of part number).

Roller material: beige, rigid PVC.
End plug material: beige ABS.

See page 324 for Type A Roller standard part numbers.

Bearing Type:	Sleeve
Bore Type:	Through
Roller Material:	PVC

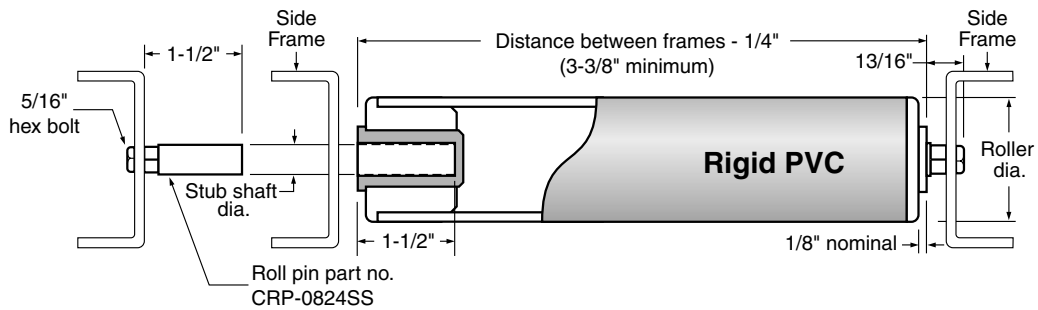
Shaft Material	Hex Adapter Material	Roller Diameter	Bearing Material	Distance Between Frames
Part No.	Part No.	Part No.	Part No.	
Description	Description	Description	Description	
CS Carbon steel	C Carbon steel	R220 1.90"	S Nolu-S	
304SS 304 stainless	316SS 316 stainless	R250 2.25"		
316SS 316 stainless		R270 2.38"		
		R280 2.50"		
		R320 2.88"		

Use with hex shaft.

7/16 hex shaft ▶	A-7/16hex-	<input type="text"/>	<input type="text"/>	<input type="text"/>	<input type="text"/>	<input type="text"/>
1/2" round shaft ▶	A-1/2	<input type="text"/>	<input type="text"/>	<input type="text"/>	<input type="text"/>	<input type="text"/>

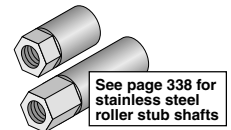
Type B

PVC Roller with High Performance Blind Bore Sleeve Bearing



Designed for belt driven conveyors and inclined gravity systems where added cleanliness is required. The blind bore sleeve bearing can accommodate a 1/2" or 5/8" stainless steel stub shaft or extended pin chain attachments. The standard roller is bored to suit part number CRP-0824SS which is 1/2" dia., 316 stainless steel, and can be bolted to your side frame.

Roller material: beige, rigid PVC.
End plug material: beige ABS.



See page 325 for Type B Roller standard part numbers.

Stub Shaft Diameter	Roller Diameter	Bearing Material	Distance Between Frames
Part No.	Part No.	Part No.	
Description	Description	Description	
1/2"	R220 1.90"	S Nolu-S	
5/8"	R250 2.25"		
	R270 2.38"		
	R280 2.50"		
	R320 2.88"		

B-	<input type="text"/>	<input type="text"/>	<input type="text"/>	<input type="text"/>
-----------	----------------------	----------------------	----------------------	----------------------

