



# 688-1.4

**NEW**

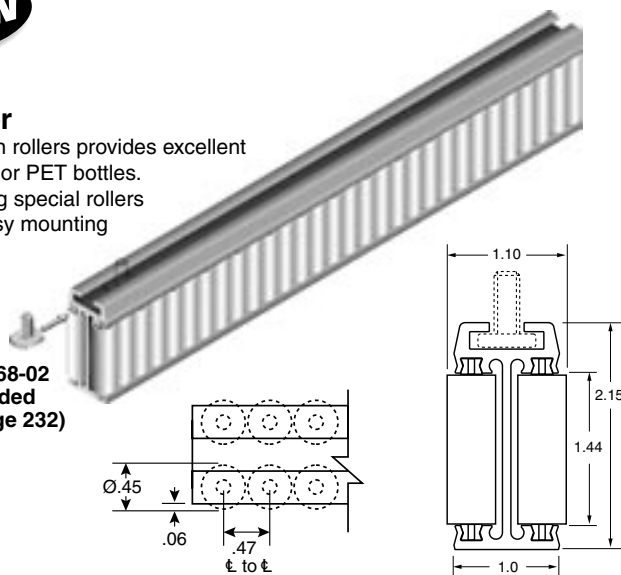
## SpeedRoll™ Lane Divider

2-sided lane divider with low friction rollers provides excellent guides for polywrapped containers or PET bottles. Can be cut to length and bent using special rollers and the Valu Guide rail bender. Easy mounting using VG-1568-02 bolts (included). Operating temperature range: -10°F to +180°F.



Patent No. 6,516,933

VG-1568-02 included (see page 232)



- Easy mounting
- Great for polywrapped containers or PET
- On-site bendable
- Cut to desired length

**Material:** Aluminum channel, FDA accepted engineered polymer pins, gray acetal rollers.

Part Number	No. of Bolts Included*	Length (ft.)
VG-688-1.4-02	3	2
VG-688-1.4-03	3	3
VG-688-1.4-04	3	4
VG-688-1.4-05	4	5
VG-688-1.4-06	4	6
VG-688-1.4-07	5	7
VG-688-1.4-08	5	8
VG-688-1.4-09	6	9
VG-688-1.4-10	6	10

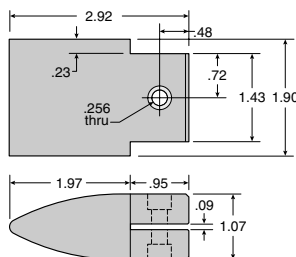
\*Bolts included are VG-1568-02

# 687NP

## Nose Plow for SpeedRoll™

**Material:** Nolu-S with stainless steel fastener.

Part Number  
VG-687NP-1.4



**24"** min. bending radius in either direction. Field bendable with Valu Guide rail bender on pg. 198 or custom bend request form on pg. 234.

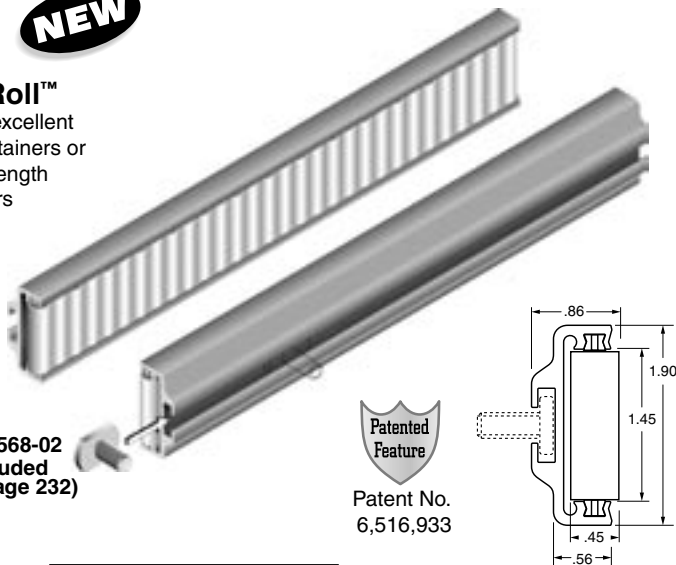
# 688H-1.4

**NEW**

## Aluminium SpeedRoll™

Low friction rollers provide excellent guides for polywrapped containers or PET bottles. Can be cut to length and bent using special rollers and the Valu Guide rail bender. Easy mounting using VG-1568-02 bolts (included). Operating temperature range: -10°F to +180°F.

VG-1568-02 included (see page 232)



Patent No. 6,516,933

**Material:** Aluminum channel, FDA accepted engineered polymer pins, gray acetal rollers.

Part Number	No. of Bolts Included*	Length (ft.)
VG-688H-1.4-02	3	2
VG-688H-1.4-03	3	3
VG-688H-1.4-04	3	4
VG-688H-1.4-05	4	5
VG-688H-1.4-06	4	6
VG-688H-1.4-07	5	7
VG-688H-1.4-08	5	8
VG-688H-1.4-09	6	9
VG-688H-1.4-10	6	10

\*Bolts included are VG-1568-02



**12"** min. bending radius in either direction. Field bendable with Valu Guide rail bender on pg. 198 or custom bend request form on pg. 234.

# 687SP

## Side Plow for SpeedRoll™

**Material:** Nolu-S with stainless steel fastener.

Part Number  
VG-687SP-1.4

