



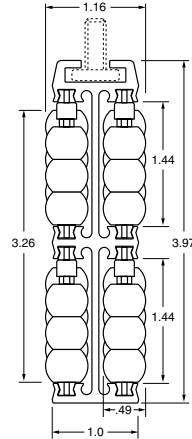
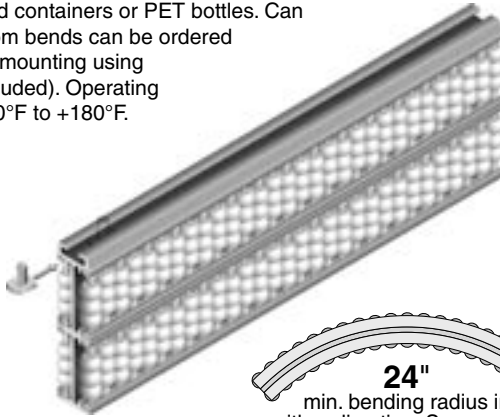
687-3.3 2-Strand SpeedRail SB™ Lane Divider

NEW

Low friction 2-sided beaded lane divider provide excellent guides for polywrapped containers or PET bottles. Can be cut to length. Custom bends can be ordered from the factory. Easy mounting using VG-1568-02 bolts (included). Operating temperature range: -10°F to +180°F.



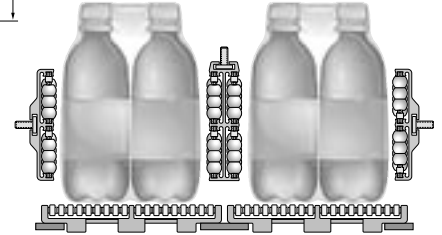
Patent No.
6,516,933



Material: Aluminum channel, FDA accepted engineered polymer pins, gray acetal beads.

Part Number	No. of Bolts Included*	Length (ft.)
VG-687-3.3-02	3	2
VG-687-3.3-03	3	3
VG-687-3.3-04	3	4
VG-687-3.3-05	4	5
VG-687-3.3-06	4	6
VG-687-3.3-07	5	7
VG-687-3.3-08	5	8
VG-687-3.3-09	6	9
VG-687-3.3-10	6	10

*Bolts included are VG-1568-02

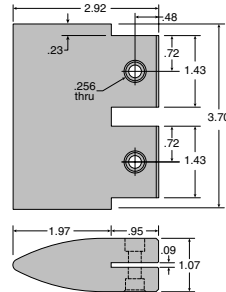


687NP

Nose Plow for 2-Strand SpeedRail SB™

Material: Nolu-S with stainless steel fastener.

Part Number
VG-687NP-3.3



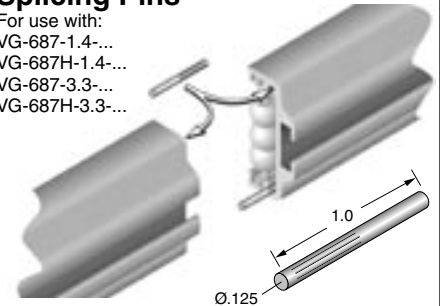
687SP

Material: Stainless steel.

Part Number
VG-687SP

SpeedRail SB™ Splicing Pins

For use with:
VG-687-1.4-...
VG-687H-1.4-...
VG-687-3.3-...
VG-687H-3.3-...



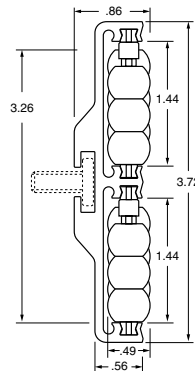
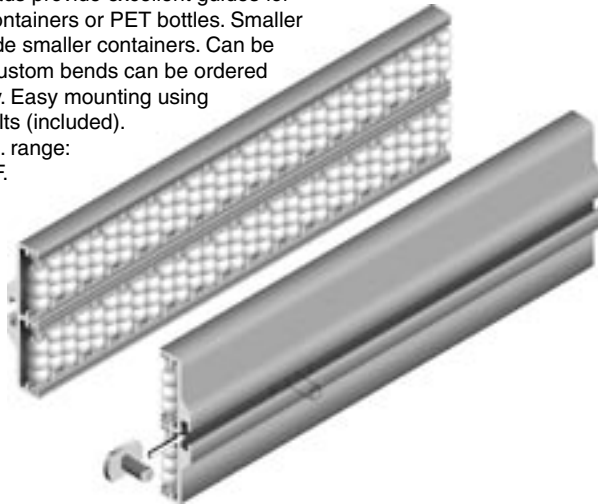
687H-3.3 2-Strand SpeedRail SB™

NEW

A wider bead guide used for carry surfaces or side rails. Low friction beads provide excellent guides for polywrapped containers or PET bottles. Smaller beads help guide smaller containers. Can be cut to length. Custom bends can be ordered from the factory. Easy mounting using VG-1568-02 bolts (included). Operating temp. range: -10°F to +180°F.



Patent No.
6,516,933



Material: Aluminum channel, FDA accepted engineered polymer pins, gray acetal beads.

Part Number	No. of Bolts Included*	Length (ft.)
VG-687H-3.3-02	3	2
VG-687H-3.3-03	3	3
VG-687H-3.3-04	3	4
VG-687H-3.3-05	4	5
VG-687H-3.3-06	4	6
VG-687H-3.3-07	5	7
VG-687H-3.3-08	5	8
VG-687H-3.3-09	6	9
VG-687H-3.3-10	6	10

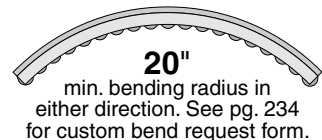
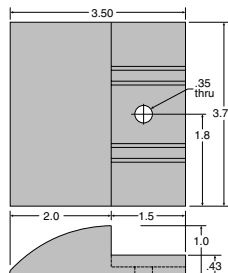
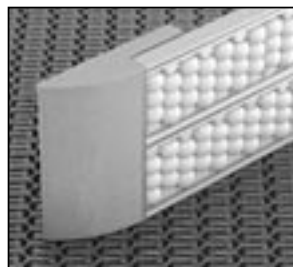
*Bolts included are VG-1568-02

687SP

Side Plow for 2-Strand SpeedRail SB™

Material: Nolu-S with stainless steel fastener.

Part Number
VG-687SP-3.3



Bead and Roller Guides