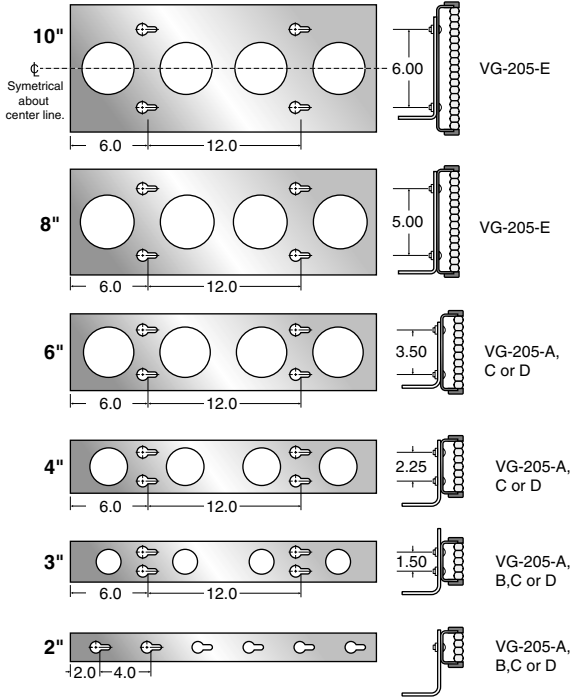
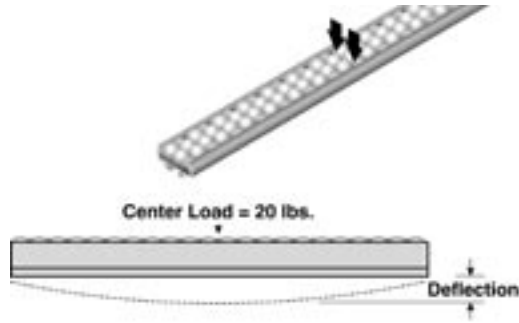
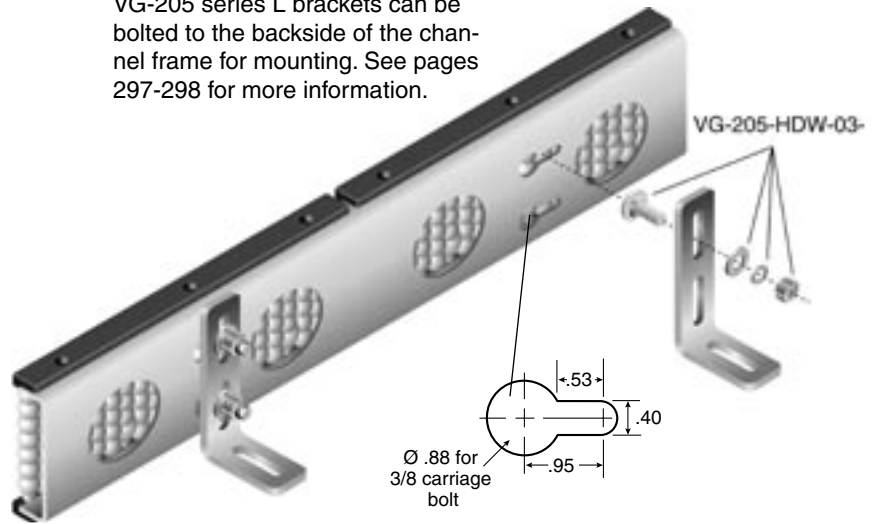




Combiner frame hole patterns and recommended VG-205 mounting brackets

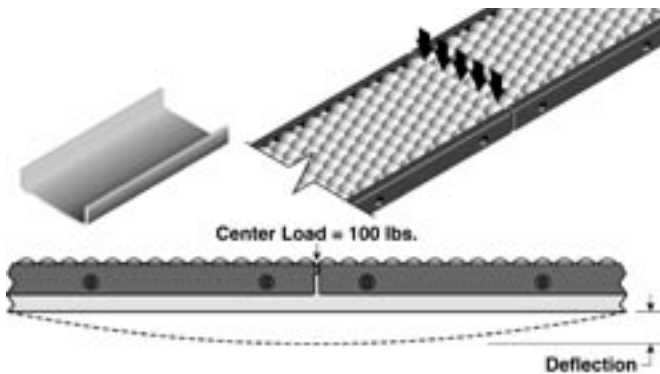


VG-205 series L brackets can be bolted to the backside of the channel frame for mounting. See pages 297-298 for more information.



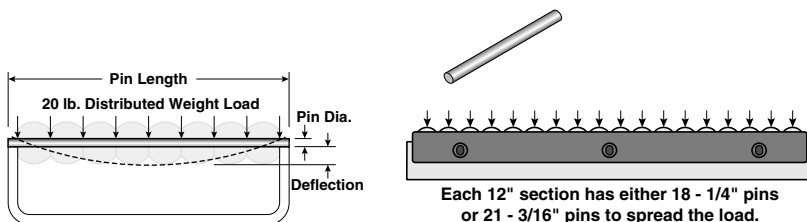
Aluminum Channel Bead Guides

Part Number	Maximum Deflection		Moment of Inertia
	24 Length	36 Length	
VG-686A-1.25	.007	.024	.020
VG-686A-3.0	.005	.016	.030
VG-687-1.4	.010	.034	.014
VG-687-3.3	.006	.019	.025
VG-688-1.4	.010	.034	.014
VG-688-3.3	.006	.019	.025
VG-684BR-1.5-AB	.009	.031	.016
VG-684BR-3-AB	.007	.024	.020



Steel Channel Bead Guides

10 gauge Channel Height	Maximum Deflection		Moment of Inertia
	24 Length	36 Length	
2 inches	.005	.017	.048
3 inches	.005	.016	.053
4 inches	.004	.015	.057
6 inches	.004	.014	.061
8 inches	.004	.013	.064
10 inches	.004	.013	.066



Single Metal Pins

Pin Length in Inches	Maximum Pin Deflection	
	3/16 dia.	1/4 dia.
2	.001	0
3	.004	n/a
4	.009	.003
6	.031	.01
8	n/a	.023
10	n/a	.045

Bead and Roller Guides