

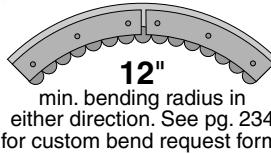
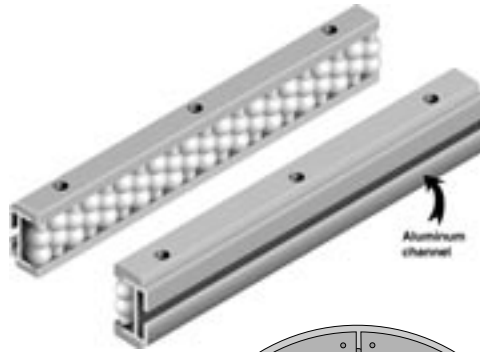
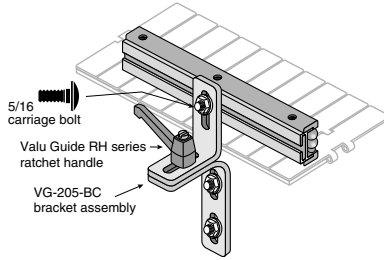
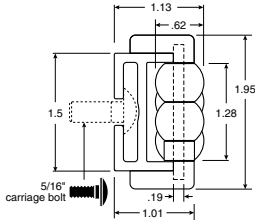


BR-1.5



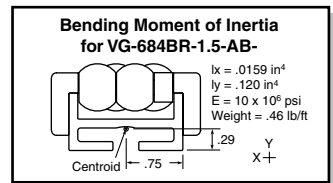
Aluminum Channel BeadRail™

Economical bead guide used for carry surfaces or side rails. Easy fastening frame slot for horizontal and vertical applications. Operating temperature range: -4°F to +170°F.



Material: Aluminum channel, gray polyamide pin rails, carbon steel pins, gray acetal beads.

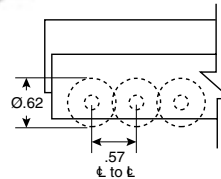
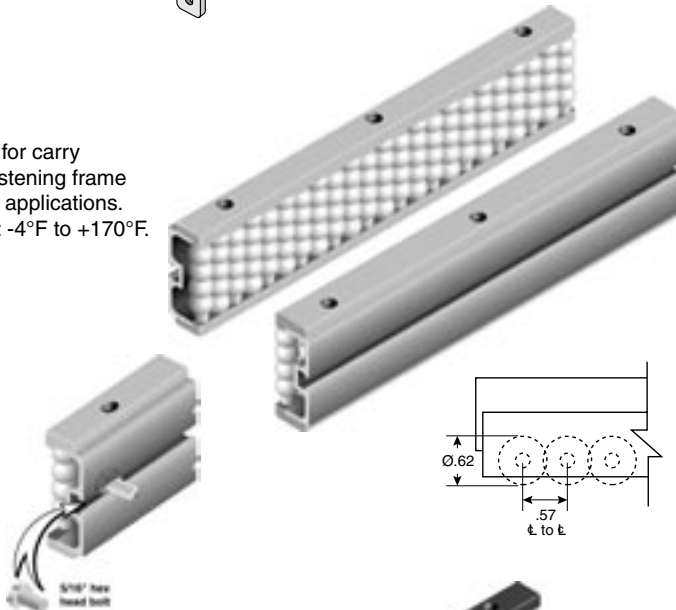
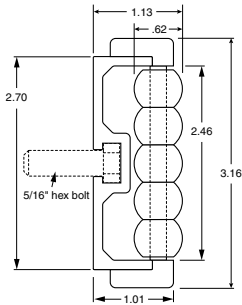
| Part Number | Length (ft.) |
|--------------------|--------------|
| VG-684BR-1.5-AB-02 | 2 |
| VG-684BR-1.5-AB-03 | 3 |
| VG-684BR-1.5-AB-04 | 4 |
| VG-684BR-1.5-AB-05 | 5 |
| VG-684BR-1.5-AB-06 | 6 |
| VG-684BR-1.5-AB-07 | 7 |
| VG-684BR-1.5-AB-08 | 8 |
| VG-684BR-1.5-AB-09 | 9 |
| VG-684BR-1.5-AB-10 | 10 |



BR-3

3 Inch Aluminum Channel BeadRail™

Economical bead guide used for carry surfaces or side rails. Easy fastening frame slot for horizontal and vertical applications. Operating temperature range: -4°F to +170°F.



Material: Aluminum channel, gray polyamide pin rails, carbon steel pins, gray acetal beads.

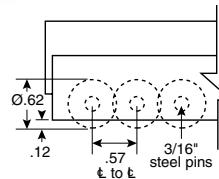
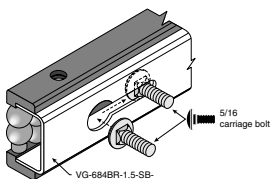
| Part Number | Length (ft.) |
|------------------|--------------|
| VG-684BR-3-AB-02 | 2 |
| VG-684BR-3-AB-03 | 3 |
| VG-684BR-3-AB-04 | 4 |
| VG-684BR-3-AB-05 | 5 |
| VG-684BR-3-AB-06 | 6 |
| VG-684BR-3-AB-07 | 7 |
| VG-684BR-3-AB-08 | 8 |
| VG-684BR-3-AB-09 | 9 |
| VG-684BR-3-AB-10 | 10 |

Bead and Roller Guides

BR-1.5

Stainless Steel Channel BeadRail™

Economical bead guide used for carry surfaces or side rails. Easy fastening frame slots for horizontal and vertical applications. Operating temperature range: -4°F to +170°F.



Material: 14 ga. Stainless steel channel, black polyamide pin rails, stainless steel pins, tan acetal beads.

| Part Number | Length (ft.) |
|--------------------|--------------|
| VG-684BR-1.5-SB-02 | 2 |
| VG-684BR-1.5-SB-03 | 3 |
| VG-684BR-1.5-SB-04 | 4 |
| VG-684BR-1.5-SB-05 | 5 |
| VG-684BR-1.5-SB-06 | 6 |
| VG-684BR-1.5-SB-07 | 7 |
| VG-684BR-1.5-SB-08 | 8 |
| VG-684BR-1.5-SB-09 | 9 |
| VG-684BR-1.5-SB-10 | 10 |

